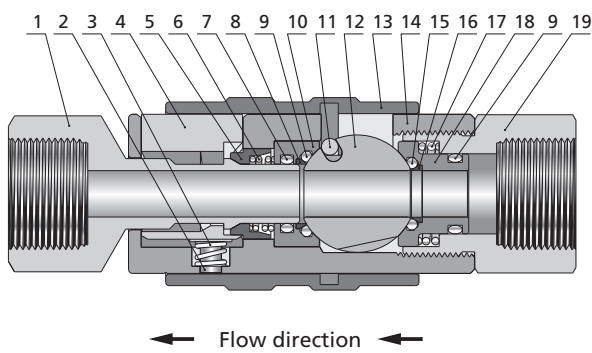


# Quick-connects for Nuclear Industry

## QCA Series

### Features

- ⦿ Working pressure up to: 232 psig (16 bar)
- ⦿ Safe operation without accidental disconnection risk
- ⦿ Safe pressure release design to avoid hose whipping after disconnection
- ⦿ Large flow path ensures direct air flow to reduce the pressure loss
- ⦿ Improved gas use efficiency for a variety of pneumatic devices



### Standard Materials of Construction

Item	Component	Material Grade/ASTM Standard
1	Stem	316 SS/A479
2	Positioning Pin	316 SS/A479
3	Spring	302 SS/A313
4	Button	316 SS/A479
5	Backup Ring	316 SS/A479
6	Backup Ring Spring	S17700/A313
7	O-ring	EPDM
8	O-ring Spacing Collar 1	Brass C36000/B16
9	O-ring	EPDM
10	Ball Support 1	Brass C36000/B16
11	Round Pin	316 SS/A479
12	Ball	316 SS/A479
13	Poppet	316 SS/A479
14	Body	316 SS/A479
15	O-ring	EPDM
16	O-ring Spacing Collar 2	Brass C36000/B16
17	Support Spring	302 SS/A313
18	Ball Support 2	Brass C36000/B16
19	Adapter	316 SS/A479

### Insertion Depth

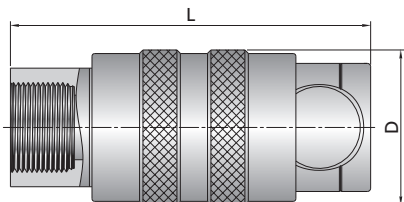
Series	Insertion Depth in. (mm)
QCA11	1.60 (40.6)

In order to measure overall length in the coupled position, the insertion depth should be deducted from any overall stem and body combination length.

## Dimensions

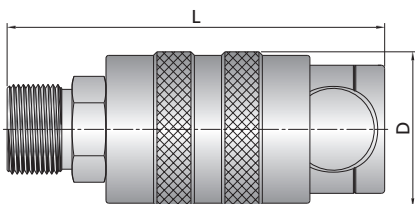
### Bodies

#### Female BSPP



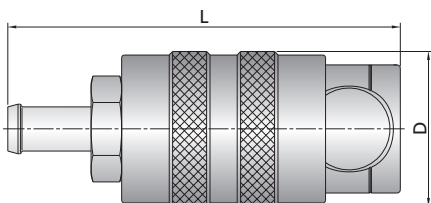
Fitting Size	Basic Ordering Number	L	D
in.		in. (mm)	in. (mm)
1/2	-QCA11-RG8-B	4.17 (106.0)	1.80 (45.6)
3/4	-QCA11-RG12-B	4.17 (106.0)	1.80 (45.6)

#### Male BSPP



Fitting Size	Basic Ordering Number	L	D
in.		in. (mm)	in. (mm)
1/2	-QCA11-BP8-B	4.36 (110.8)	1.80 (45.6)
3/4	-QCA11-BP12-B	4.37 (111.1)	1.80 (45.6)

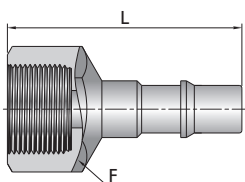
#### Plugs for Rubber Hose



Fitting Size	Basic Ordering Number	L	D
mm		in. (mm)	in. (mm)
13	-QCA11-MBT13-B	4.55 (115.5)	1.80 (45.6)
16	-QCA11-MBT16-B	4.63 (117.5)	1.80 (45.6)

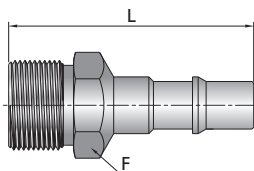
### Stems

#### Female BSPP



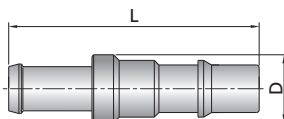
Fitting Size	Basic Ordering Number	L	F
in.		in. (mm)	mm
1/2	-QCA11-RG8-S	2.60 (66.0)	27.0
3/4	-QCA11-RG12-S	2.72 (69.0)	32.0

#### Male BSPP



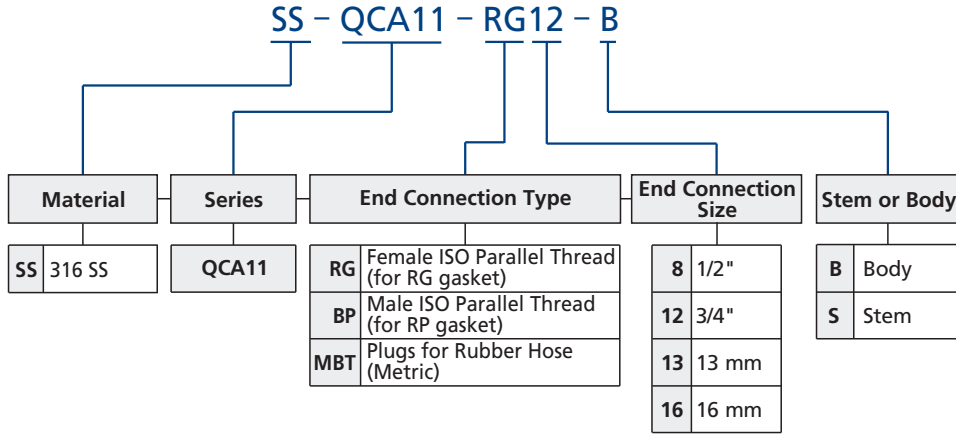
Fitting Size	Basic Ordering Number	L	F
in.		in. (mm)	mm
1/2	-QCA11-BP8-S	2.75 (69.8)	22.0
3/4	-QCA11-BP12-S	2.84 (72.1)	27.0

#### Plugs for Rubber Hose



Fitting Size	Basic Ordering Number	L	D
mm		in. (mm)	in. (mm)
13	-QCA11-MBT13-S	2.90 (73.7)	0.79 (20.0)
16	-QCA11-MBT16-S	3.06 (77.7)	0.91 (23.0)

## Ordering Number Description



Note: "Ordering Number Description" is a reference to understand the combination rules of FITOK product part number. Not all combinations are available.