

Relief Valves

HSR Series: 20,000 psig (1379 bar)

HMR Series: 60,000 psig (4137 bar)

HAR Series: 20,000 psig (1379 bar)



Part Number Crossover Charts	Subsea Valves	Sour Service Products	Valves	Line Filters	Quick Couplings	Tubing	Fittings
------------------------------	---------------	-----------------------	--------	--------------	-----------------	--------	----------

Contents

Fittings

HSR Series

20,000 psig (1379 bar)

E-71

Tubing

HMR Series

60,000 psig (4137 bar)

E-74

Quick Couplings

HAR Series

20,000 psig (1379 bar)

E-77

Line Filters

Ordering Number Description

E-80

Valves

Sour Service Products

Subsea Valves

Part Number Crossover Charts

HSR Series: 20,000 psig (1379 bar)

Features

- ⦿ Set pressure: 1,500 to 20,000 psig (103 to 1379 bar)
- ⦿ Working temperature range: 32°F to 400°F (0°C to 204°C)
- ⦿ Liquid or gas service
- ⦿ Soft seat design to provide bubble tight shut-off of gas
- ⦿ Factory-set, test, locked, and tagged with the set pressure
- ⦿ Lock wire the cap and body together to maintain relief setting
- ⦿ Mountable in any direction

Ordering Information and Technical Data

Ordering Number	Inlet		Outlet Connection	Orifice in. (mm)	Cv	Minimum Set Pressure psig (bar)	Maximum Set Pressure psig (bar)	Maximum Back Pressure psig (bar)
	Tube O.D. in.	Connection						
HSRSS-MF9-FNS12-1	9/16	MF9	FNS12	0.312 (7.92)	1.2	1,500 (103)	5,000 (345)	500 (34.5)
HSRSS-MF9-FNS12-2	9/16	MF9	FNS12	0.25 (6.35)	0.8	5,000 (345)	10,000 (690)	500 (34.5)
HSRSS-MF9-FNS12-3	9/16	MF9	FNS12	0.156 (3.96)	0.3	10,000 (690)	20,000 (1379)	500 (34.5)

- Notes: 1. Please specify the required set pressure when ordering.
 2. Maximum system operating pressure should not exceed 90% of the set pressure.
 3. For valves not actuated for a period of time, initial relief pressure may be higher than the set pressure.

Fittings

Tubing

Quick Couplings

Line Filters

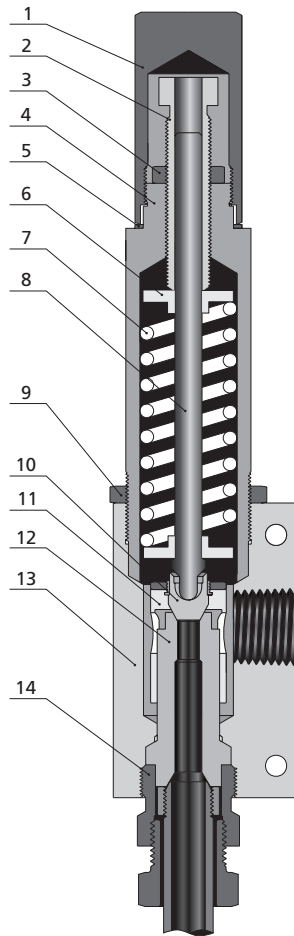
Valves

Sour Service Products

Subsea Valves

Part Number Crossover Charts

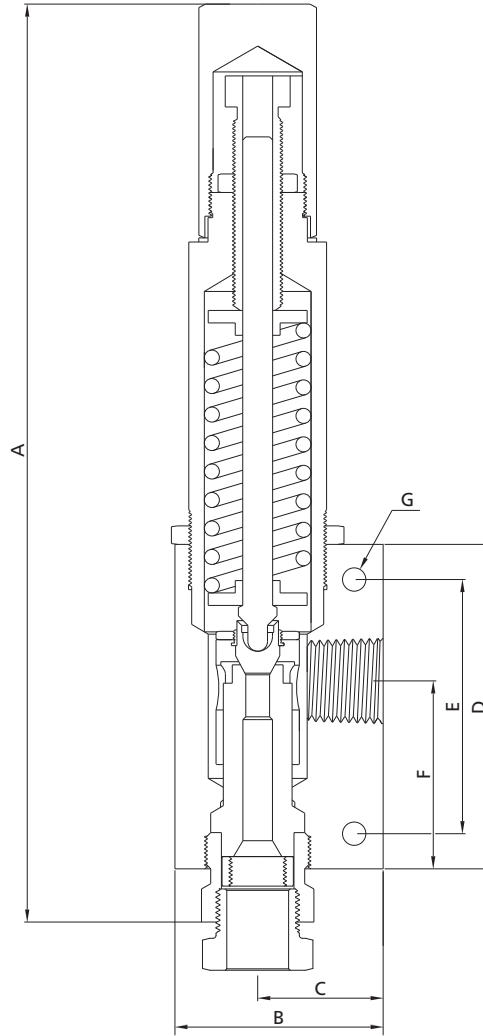
Standard Materials of Construction



Item	Component	Material Grade
1	Cap	316 SS
2	Adjusting Bolt	316 SS
3	Lock Nut	316 SS
4	Spring Cylinder	316 SS
5	Gasket	316L SS
6	Spring Washer	316 SS
7	Spring	S17700
8	Spindle	316 SS
9	Lock Nut	316 SS
10	Plug	PEEK
11	Plug Guide	316 SS
12	Seat	316 SS
13	Valve Body	316 SS
14	Seat Gland	316 SS
	Lubricant	Molybdenum Disulfide/Fluorinated-Based

Wetted components listed in italics.

Dimensions



Dimensions, in.(mm)						
A	B	C	D	E	F	G
9.46 (240.4)	2.00 (50.8)	1.19 (30.2)	3.25 (82.6)	2.25 (57.1)	1.94 (49.3)	0.28 (7.2)

- Notes: 1. G is the dimension of mounting holes.
 2. All dimensions are for reference only and are subject to change. For dimensions not shown above, please contact FITOK Group or our authorized distributors.

Fittings
Tubing
Quick Couplings
Line Filters
Valves
Sour Service Products
Subsea Valves
Part Number Crossover Charts

HMR Series: 60,000 psig (4137 bar)

Features

- ⦿ Set pressure: 3,000 to 60,000 psig (207 to 4137 bar)
- ⦿ Working temperature range: -110°F to 400°F (-79°C to 204°C)
- ⦿ Liquid or gas service
- ⦿ Metal-to-metal seating to provide shut-off of liquids and gases under pressure to commercial tightness standards
- ⦿ Factory-set, test, locked, and tagged with the set pressure
- ⦿ Lock wire the cap and body together to maintain relief setting
- ⦿ Mountable in any direction

Ordering Information and Technical Data

Ordering Number	Inlet		Outlet Connection	Orifice Size in. (mm)	Cv	Minimum Set Pressure psig (bar)	Maximum Set Pressure psig (bar)	Maximum Back Pressure psig (bar)
	Tube O.D. in.	Connection						
HMRSS-MF9-FNS12-1	9/16	MF9	FNS12	0.312 (7.92)	1.2	3,000 (207)	5,000 (345)	500 (34.5)
HMRSS-MF9-FNS12-2	9/16	MF9	FNS12	0.250 (6.35)	0.8	5,000 (345)	10,000 (690)	500 (34.5)
HMRSS-MF9-FNS12-3	9/16	MF9	FNS12	0.188 (4.78)	0.45	10,000 (690)	15,000 (1034)	500 (34.5)
HMRSS-MF9-FNS12-4	9/16	MF9	FNS12	0.156 (3.96)	0.3	15,000 (1034)	20,000 (1379)	500 (34.5)
HMRSS-HF6-FNS12-5	3/8	HF6	FNS12	0.125 (3.18)	0.2	20,000 (1379)	30,000 (2068)	500 (34.5)
HMRSS-HF6-FNS12-6	3/8	HF6	FNS12	0.093 (2.36)	0.1	25,000 (1724)	45,000 (3103)	500 (34.5)
HMRSS-HF6-FNS12-7	3/8	HF6	FNS12	0.078 (1.98)	0.07	30,000 (2068)	60,000 (4137)	500 (34.5)

- Notes: 1. Please specify the required set pressure when ordering.
 2. Maximum system operating pressure should not exceed 90% of the relief valve set pressure.
 3. For valves not actuated for a period of time, initial relief pressure may be higher than the set pressure.

Fittings

Tubing

Quick Couplings

Line Filters

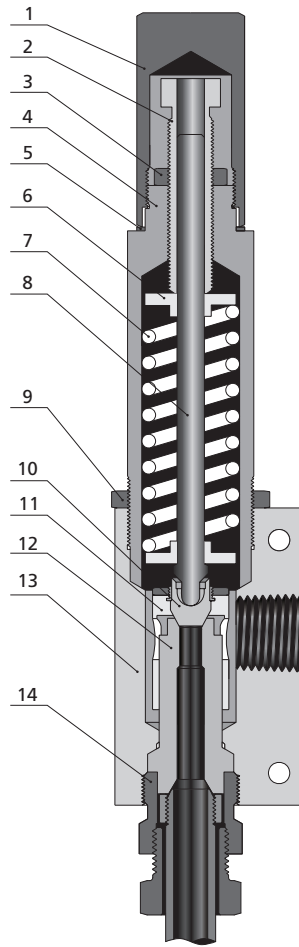
Valves

Sour Service Products

Subsea Valves

Part Number Crossover Charts

Standard Materials of Construction

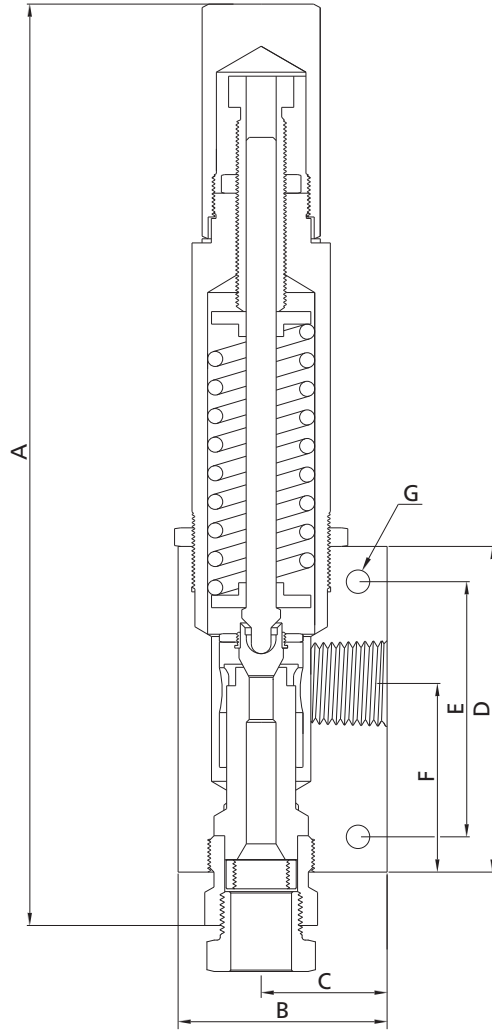


Item	Component	Material Grade
1	<i>Cap</i>	316 SS
2	<i>Adjusting Bolt</i>	316 SS
3	<i>Lock Nut</i>	316 SS
4	<i>Spring Cylinder</i>	316 SS
5	<i>Gasket</i>	316L SS
6	<i>Spring Washer</i>	316 SS
7	<i>Spring</i>	S17700
8	<i>Spindle</i>	316 SS
9	Lock Nut	316 SS
10	<i>Plug</i>	S17400
11	<i>Plug Guide</i>	316 SS
12	<i>Seat</i>	S17400
13	<i>Valve Body</i>	316 SS
14	Seat Gland	316 SS
Lubricant		Molybdenum Disulfide/Fluorinated-Based

Wetted components listed in italics.

Fittings
Tubing
Quick Couplings
Line Filters
Valves
Sour Service Products
Subsea Valves
Part Number Crossover Charts

Dimensions



Dimensions, in.(mm)						
A	B	C	D	E	F	G
9.46 (240.4)	2.00 (50.8)	1.19 (30.2)	3.25 (82.6)	2.25 (57.1)	1.94 (49.3)	0.28 (7.2)

Notes: 1. G is the dimension of mounting holes.

2. All dimensions are for reference only and are subject to change. For dimensions not shown above, please contact FITOK Group or our authorized distributors.

HAR Series: 20,000 psig (1379 bar)

Features

- ⦿ Set pressure: 3,000 to 20,000 psig (207 to 1379 bar)
- ⦿ Working temperature range: 32°F to 400°F (0°C to 204°C)
- ⦿ Field adjustable
- ⦿ Liquid or gas service
- ⦿ Soft seat design to provide bubble tight shut-off of gas
- ⦿ Easily replaceable seat
- ⦿ Mountable in any direction

Ordering Information and Technical Data

Ordering Number	Inlet		Outlet Connection	Orifice Size in. (mm)	Cv	Minimum Set Pressure psig (bar)	Maximum Set Pressure psig (bar)	Maximum Back Pressure psig (bar)
	Tube O.D. in.	Connection						
HARSS-MF9-FNS12-1	9/16	MF9	FNS12	0.197 (5.0)	0.5	3,000 (207)	10,000 (690)	500 (34.5)
HARSS-MF9-FNS12-2	9/16	MF9	FNS12	0.093 (2.36)	0.1	10,000 (690)	20,000 (1379)	500 (34.5)

- Notes: 1. Maximum system operating pressure should not exceed 90% of the relief valve set pressure.
 2. For valves not actuated for a period of time, initial relief pressure may be higher than the set pressure.

Fittings

Tubing

Quick Couplings

Line Filters

Valves

Sour Service Products

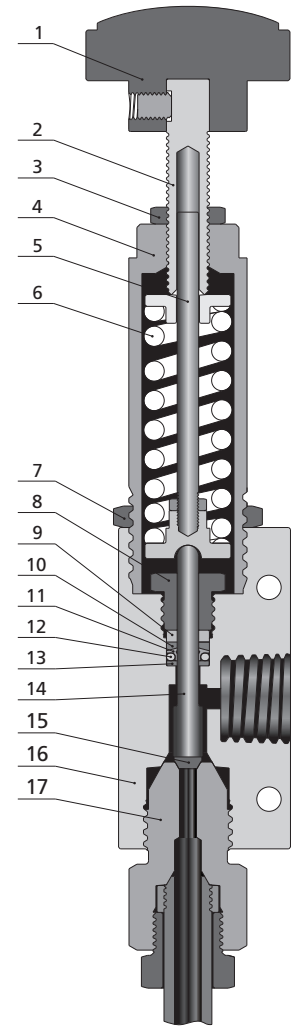
Subsea Valves

Part Number Crossover Charts

Standard Materials of Construction

Item	Component	Material Grade
1	Handle	Aluminum Alloy
2	Set Screw	316 SS
3	Lock Nut	316 SS
4	Bonnet	316 SS
5	Upper Stem	316 SS
6	Spring	S17700
7	Lock Nut	316 SS
8	Packing Gland	C63000
9	Washer	C63000
10	<i>Backing Ring</i>	<i>PEEK</i>
11	<i>Backing Ring</i>	<i>PTFE</i>
12	<i>O-Ring</i>	<i>Fluorocarbon FKM</i>
13	<i>Ring</i>	<i>PEEK</i>
14	<i>Lower Stem</i>	<i>316 SS</i>
15	<i>Plug</i>	<i>PEEK</i>
16	<i>Body</i>	<i>316 SS</i>
17	<i>Seat</i>	<i>316 SS</i>
	Lubricant	Molybdenum Disulfide/Fluorinated-Based

Wetted components listed in italics.



Fittings

Tubing

Quick Couplings

Line Filters

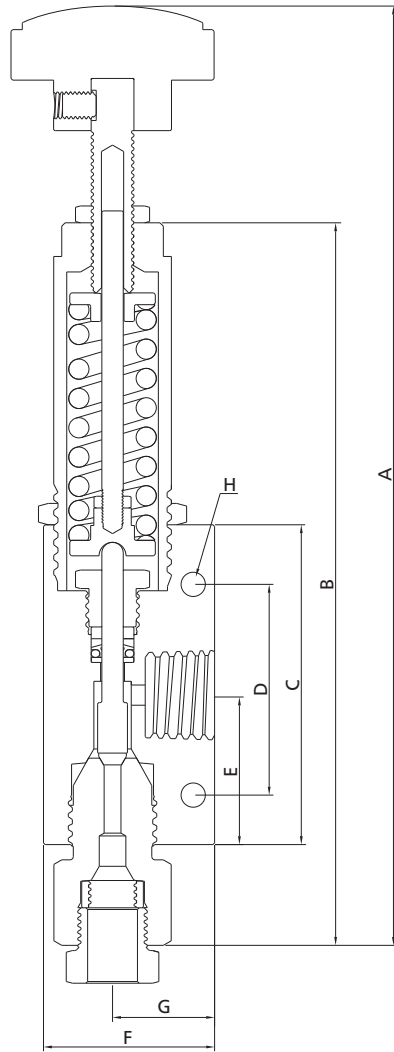
Valves

Sour Service Products

Subsea Valves

Part Number Crossover Charts

Dimensions



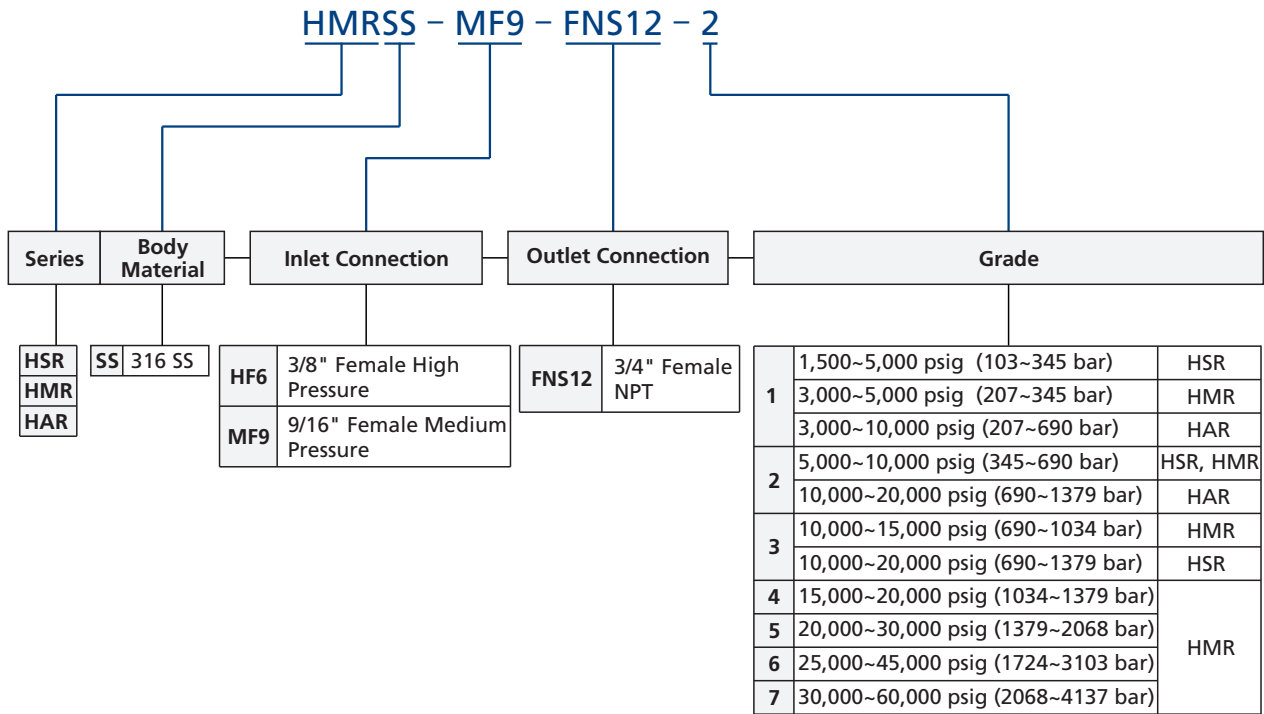
Dimensions, in.(mm)							
A	B	C	D	E	F	G	H
10.98 (278.8)	8.45 (214.6)	3.74 (95.0)	2.46 (62.6)	1.75 (44.4)	2.00 (50.8)	1.19 (30.3)	0.28 (7.2)

Notes: 1. H is the dimension of mounting holes.

2. All dimensions are for reference only and are subject to change. For dimensions not shown above, please contact the FITOK Group or our authorized distributors.

Fittings
Tubing
Quick Couplings
Line Filters
Valves
Sour Service Products
Subsea Valves
Part Number Crossover Charts

Ordering Number Description



- Notes:
1. For more details regarding Medium/High Pressure connections, please see **Connection Information** on A-02.
 2. Valves are factory-set, test, locked, and tagged with the set pressure. Please specify the required set pressure when ordering.
 3. "Ordering Number Description" is a reference to understand the combination rules of FITOK product part number. Not all combinations are available.

Fittings

Tubing

Quick Couplings

Line Filters

Valves

Sour Service Products

Subsea Valves

Part Number Crossover Charts