

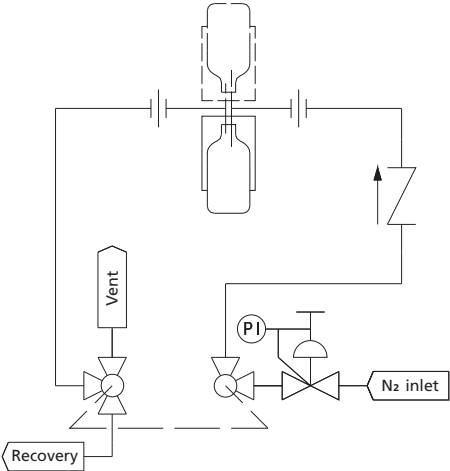
SR - Sample Handling Systems

SRB - Sample Recovery System for Bottle

Features

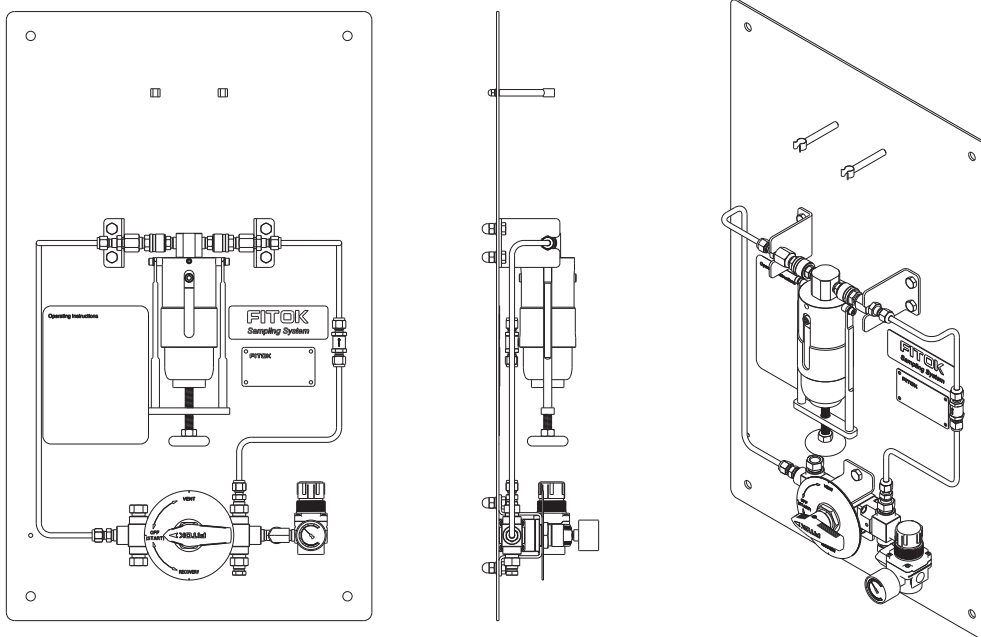
- Recover the sample from the sample bottle and purge the bottle
- Closed recovery without spillage
- Easy operation with a single handle by linkage valve

Basic Configuration

| | | |
|------------------------|--|---|
| Wetted Material | 316 SS |  |
| Needle Assembly | Process/vent needle ID: 3.0 mm (0.12") | |
| Analysis Valve | BF Series 3-way ball valves (gearbox linkage): PTFE seat and FKM O-ring Max. working pressure: 1500 psig @ 70°F (103 bar @ 20°C) Temperature range: 0°F to 450°F (-18°C to 232°C) | |
| Nitrogen Branch | Nitrogen regulator | |
| | CV Series check valves Pressure gauge | |
| Connections | 1/4" FNPT | |

Note: Products of other specifications are available upon request.

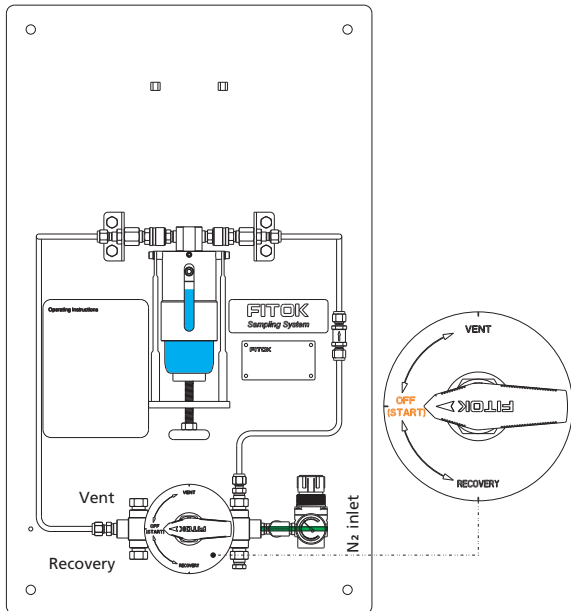
Typical Installation Mode



Operation

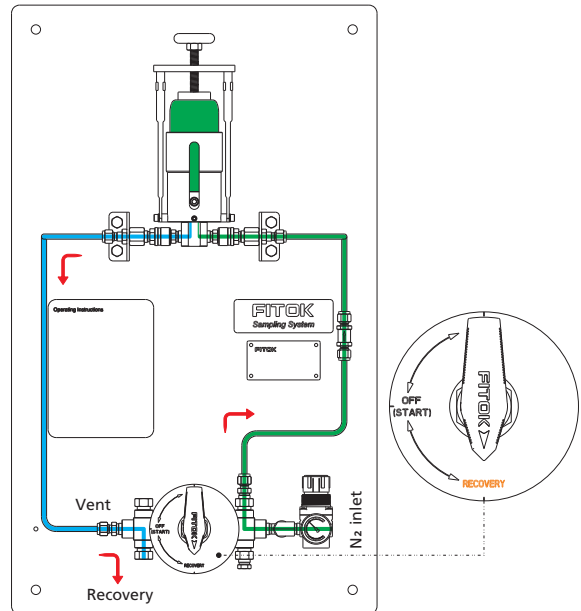
1 - Preparation

Place a new septum on the sample bottle. Insert the bottle with cap and septum into the sleeve until the septum is pierced by the needles. Turn the screw till the bottle is fixed in the sleeve.



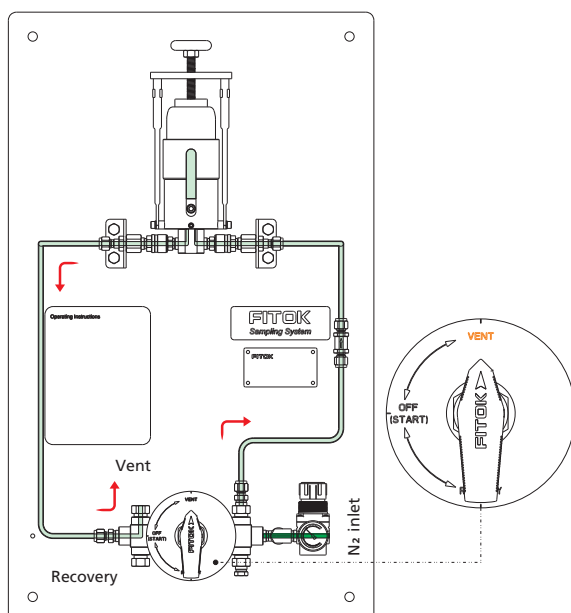
2 - Recovery

Turn the sleeve upside down and fix it by the retaining clips. Turn the handle to the "RECOVERY" position, allowing Nitrogen to drive liquids out of the bottle to the recovery connection. This position can be held for any required time.



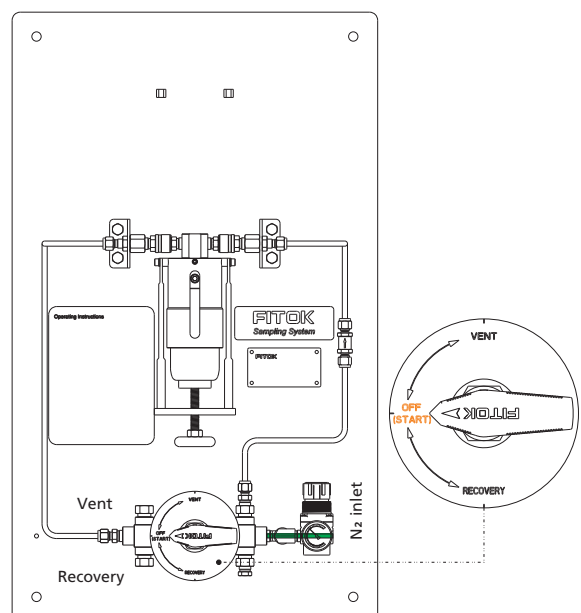
3 - Depressurization

Turn the handle to the "VENT" position to allow the bottle to depressurize.



4 - Off

Turn the handle to the "OFF" position and turn the sleeve back to the initial position. Unfix the screw and remove the bottle. The septum reseals automatically to complete sample recovery.

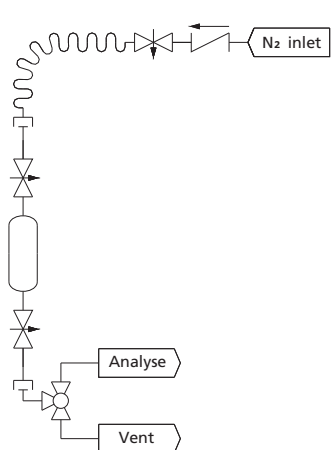


SRC - Sample Emptying System for Cylinder

Features

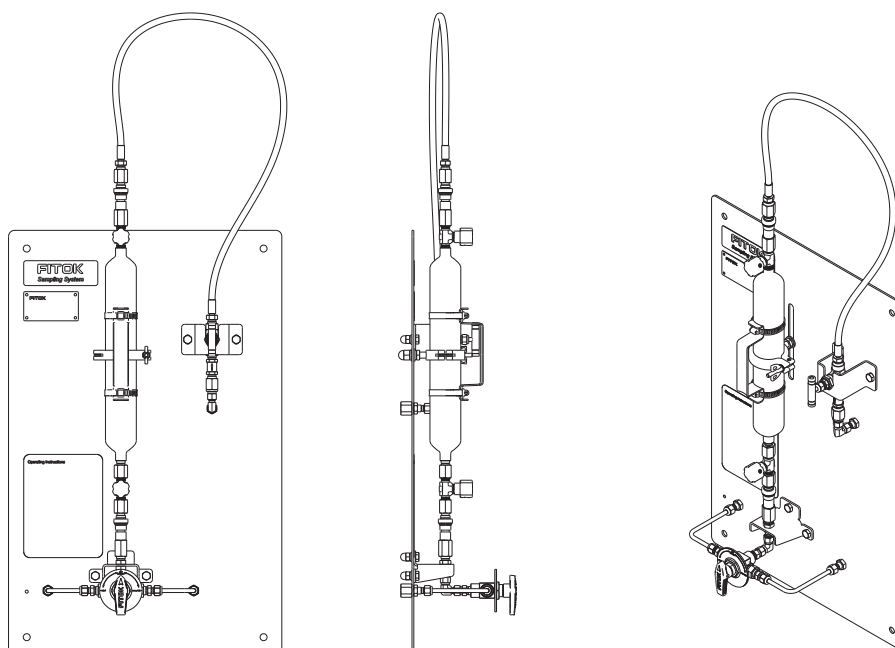
- Analyse the sample from the sample cylinder and empty the cylinder for application in the laboratory
- Closed emptying without spillage
- Depressurization of quick-connects

Basic Configuration

| | | |
|----------------------------|--|--|
| Wetted Material | 316 SS |  |
| Cylinder Assembly | 500 ml cylinder | |
| | ND Series needle valves QC4 Series quick-connects | |
| Analysis/Vent Valve | BF Series 3-way ball valves: PTFE seat and FKM O-ring Max. working pressure: 1500 psig @ 70°F (103 bar @ 20°C) Temperature range: 0°F to 450°F (-18°C to 232°C) | |
| Other Accessories | CV Series check valves | |
| | NB Series needle valves | |
| | PS Series metal hoses | |
| Connections | Analyse/purge/vent: 1/4" FNPT | |
| | Cylinder: quick-connects | |

Note: Products of other specifications are available upon request.

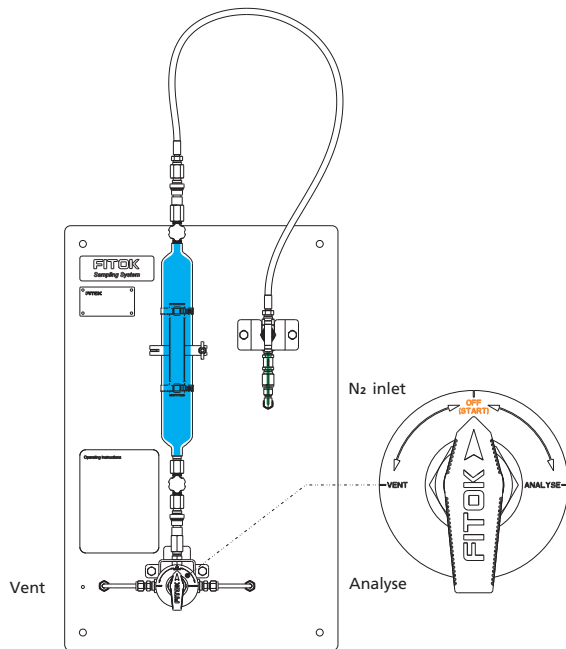
Typical Installation Mode



Operation

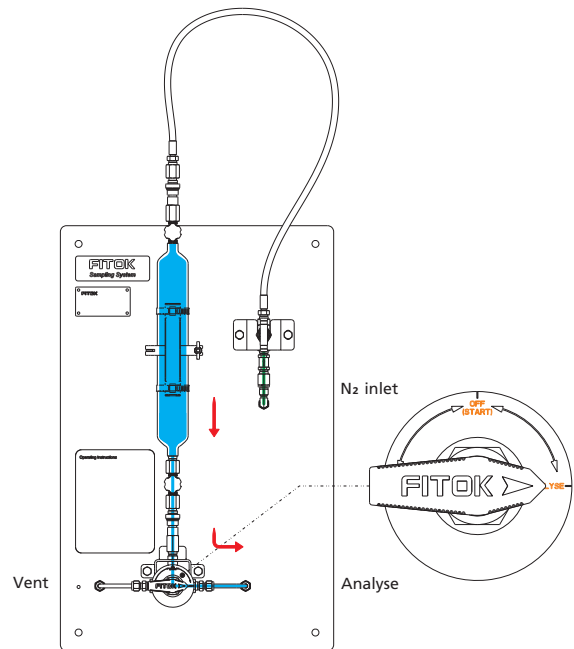
1 - Preparation

Install the sample cylinder. Connect the hose to the top quick-connect of the cylinder.



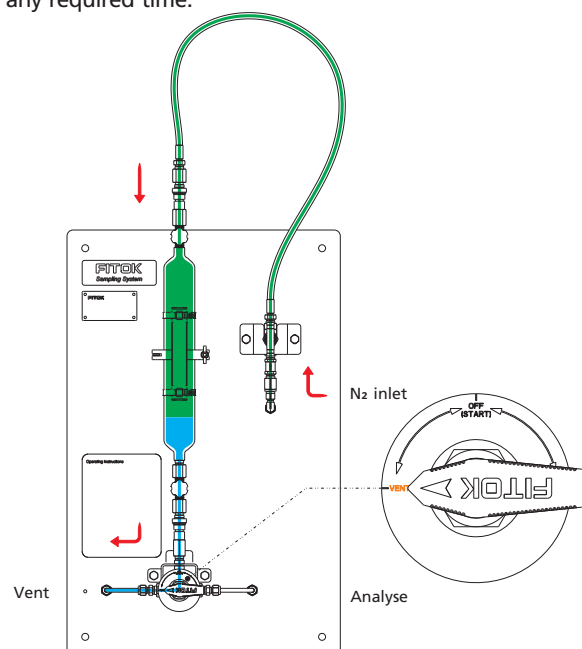
2 - Analyse

Open the needle valves of the cylinder. Turn the handle to the "ANALYSE" position, allowing the sample to flow into the analyser. When the required amount has been taken, turn the handle to the "OFF" position.



3 - Vent

Turn the handle to the "VENT" position. Open the needle valve on the Nitrogen branch, allowing Nitrogen to purge the cylinder to ensure that any residual fluid is removed from the cylinder. This position can be held for any required time.



4 - Off

Turn the handle to the "OFF" position and close all the needle valves. Disconnect the hose, remove the cylinder and connect the hose to the bottom quick-connect.

