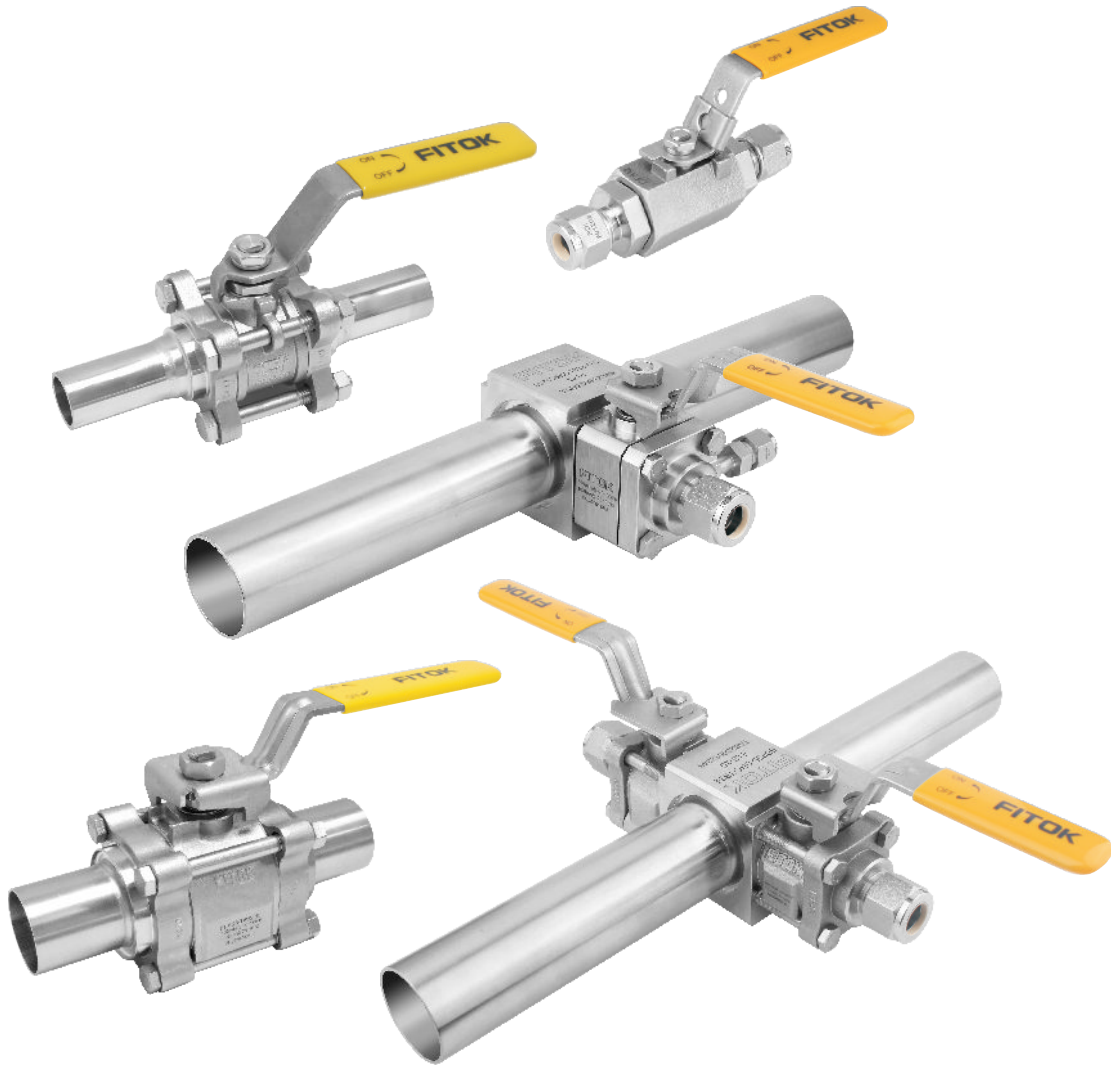


High Purity Ball Valves

BGP, BHP, BDP, BRP Series



Fittings

Valves

Pressure Gauges

Integrated Systems and Others

Process Specification

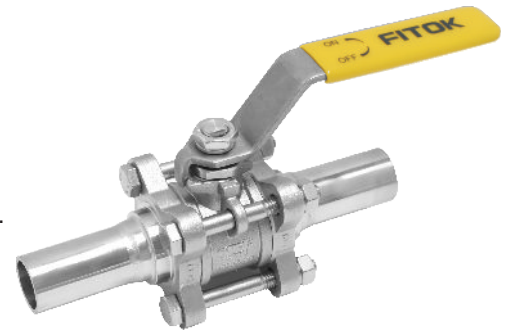
High Purity Ball Valves

3-Piece High Purity Ball Valves

BGP Series

Introduction

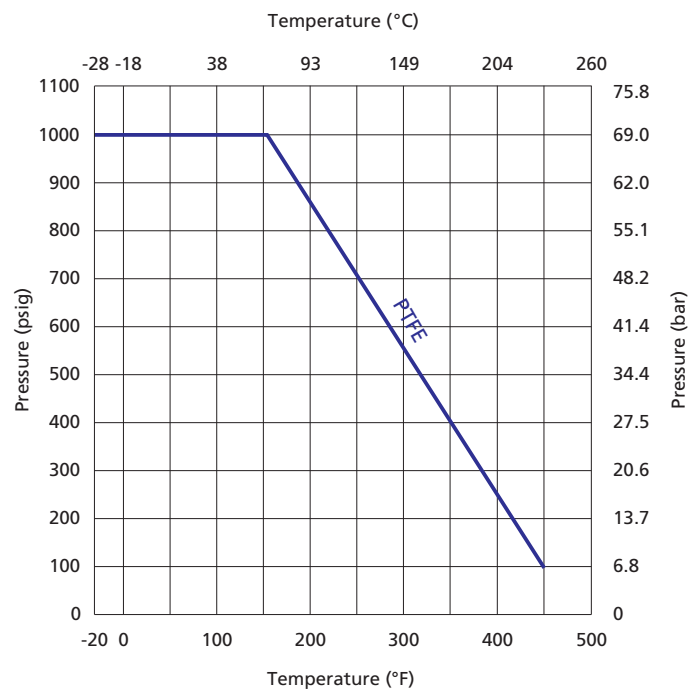
FITOK BGP series 3-piece high purity ball valves are designed to meet the requirements of degreasing, low working pressure, high flow rate and bi-directional flow for the clean dry air (CDA) and bulk gas distribution line, which are widely used in specialty gas, semiconductor and chemical industries.



Features

- ⦿ Working pressure up to: 1000 psig (69.0 bar)
- ⦿ Working temperature: -20 °F to 450 °F (-28 °C to 232 °C)
- ⦿ Orifice sizes: 0.18" (4.6 mm) to 0.79" (20.0 mm)
- ⦿ Standard average internal surface roughness Ra 25 μin. (0.6 μm)
- ⦿ Each valve leak-tested with nitrogen or compressed air at rated working pressure to achieve no visible leakage
- ⦿ Helium leak testing optional, helium leak rate $\leq 1 \times 10^{-8}$ std cm³/s
- ⦿ Connection tube in customized length available

Pressure vs. Temperature



Note: The temperature and pressure rating is based on valves of standard materials.

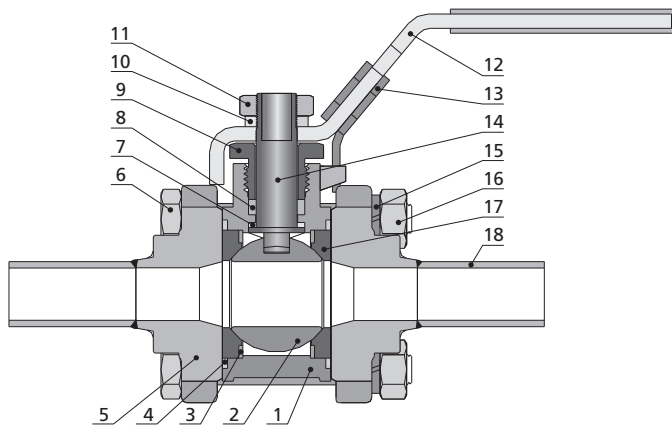
Process Specification

Technology	Process Specification	Special Cleaning and Packaging (FC-02)	Special Cleaning and Packaging (FOG)
Material/Specification		CF8M/A351 316 SS/ASTM A479 316L SS/A269	
Internal Surface Roughness		Ra 25 µin. (0.6 µm)	
Lubrication		Special lubricant compatible with oxygen is applied to components in contact with the media, for example, DuPont GPL 227	No lubricant on components in contact with the media

Notes:

1. For a detailed description of the process specification, please refer to the process specification catalog.
2. The starting torque of valves with FOG is greater than that of valves with FC-02.

Standard Materials of Construction

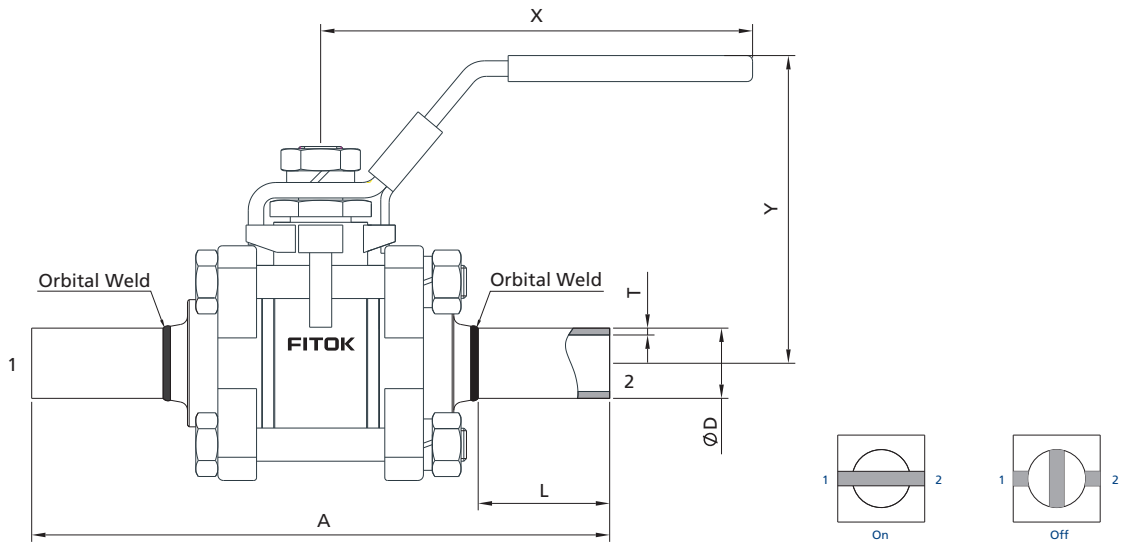


Item	Component	Material
1	<i>Body</i>	<i>CF8M/A351</i>
2	<i>Ball</i>	<i>316 SS/A479</i>
3	<i>Support Ring</i>	<i>316 SS/A240</i>
4	<i>Side Seal</i>	<i>PTFE/D1710</i>
5	<i>End Cap</i>	<i>CF8M/A351</i>
6	Body Bolt	Stainless Steel
7	<i>Stem Bearing</i>	<i>PTFE/D1710</i>
8	<i>Stem Packing</i>	<i>PTFE/D1710</i>
9	<i>Packing Gland</i>	<i>304 SS/A479</i>
10	Gasket	Stainless Steel
11	Stem Nut	Stainless Steel
12	Handle	304 SS/A240 (with PVC Sleeve)
13	Lock Block	304 SS/A240
14	<i>Stem</i>	<i>316 SS/A479</i>
15	Standard Spring Gasket	Stainless Steel
16	Hex Nut	Stainless Steel
17	<i>Seat</i>	<i>PTFE/D1710</i>
18	<i>Welded Tube</i>	<i>316L SS/A269</i>

Note: Components in contact with the media are listed in italics. For other materials, please contact FITOK Group or our authorized distributors.

Dimensions

Dimensions in in. (mm) are for reference only and subject to change.



Ordering Information	Connection Type and Size	Orifice in. (mm)	Cv	Dimensions, in. (mm)					
				A	L	D	T	X	Y
BGPSS-TB4-05	1/4" x 0.035" Fractional Extended Tube Plain Butt Weld	0.18 (4.6)	1.1	3.30 (83.3)	0.81 (20.5)	0.25 (6.35)	0.035 (0.89)	2.69 (68.3)	1.46 (37.0)
BGPSS-FL4-05	1/4" FITOK Tube Fittings	0.19 (4.8)	1.2	2.63 (66.8)	—	—	—		
BGPSS-ML6-05	6 mm FITOK Tube Fittings								
BGPSS-ML8-05	8 mm FITOK Tube Fittings								
BGPSS-TB6-07	3/8" x 0.035" Fractional Extended Tube Plain Butt Weld	0.28 (7.1)	3.8	3.30 (83.3)	0.81 (20.5)	0.375 (9.53)	0.035 (0.89)		
BGPSS-FL6-07	3/8" FITOK Tube Fittings								
BGPSS-ML10-07	10 mm FITOK Tube Fittings								
BGPSS-TB8-11	1/2" x 0.049" Fractional Extended Tube Plain Butt Weld	0.40 (10.21)	7.2	4.12 (104.6)	0.93 (23.5)	0.50 (12.7)	0.049 (1.24)	3.94 (100.0)	2.19 (55.7)
BGPSS-FL8-11	1/2" FITOK Tube Fittings	0.42 (10.6)	7.5	4.04 (103.0)	—	—	—		
BGPSS-ML12-11	12 mm FITOK Tube Fittings								
BGPSS-ML14-11	14 mm FITOK Tube Fittings								
BGPSS-FL10-13	5/8" FITOK Tube Fittings	0.5 (12.7)	11.3	5.12 (130.0)	1.26 (32)	0.75 (19.05)	0.065 (1.65)		
BGPSS-TB12-15	3/4" x 0.065" Fractional Extended Tube Plain Butt Weld	0.55 (14.0)	13						
BGPSS-FL12-15	3/4" FITOK Tube Fittings								
BGPSS-ML18-15	18 mm FITOK Tube Fittings								
BGPSS-TB16-20	1" x 0.065" Fractional Extended Tube Plain Butt Weld	0.79 (20.0)	34	6.3 (160.0)	1.67 (42.5)	1.00 (25.4)	0.065 (1.65)	5.18 (131.5)	2.66 (67.5)
BGPSS-FL16-20	1" FITOK Tube Fittings								
BGPSS-ML22-20	22 mm FITOK Tube Fittings			5.12 (130.0)	—	—	—		
BGPSS-ML25-20	25 mm FITOK Tube Fittings								

1. Sizes and types listed are standard. Other sizes and types are available upon request, please contact FITOK Group or our authorized distributors.
2. Connection tube length can be specified, such as BGPSS-TB4-05, if L=30 mm is required, the part number should be changed to BGPSS-TB4xL30-05.
3. For BGPSS-TB4-05, if no weld seam is allowed at connection, the part number should be changed to BGPSS-TB4-05-SL.

High Purity Ball Valves

3-Piece High Purity Ball Valves

BHP Series

Introduction

FITOK BHP Series 3-piece high purity ball valves are designed to meet the requirements of degreasing, high working pressure, high flow rate and bi-directional flow for the clean dry air (CDA) and bulk gas distribution line, which are widely used in specialty gas, semiconductor and chemical industries.

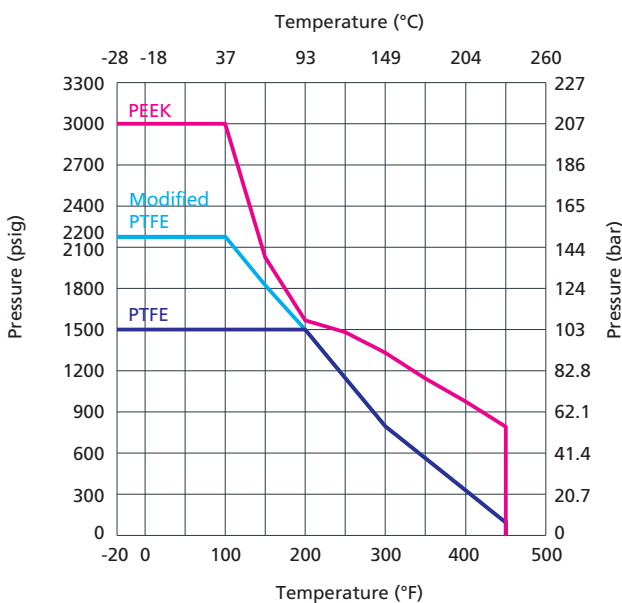


Features

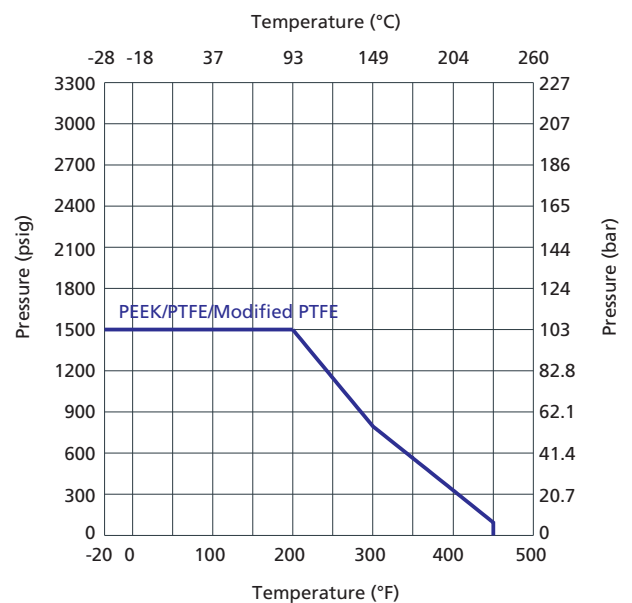
- Working pressure up to: 3000 psig (207 bar)
- Working temperature: -20 °F to 450 °F (-28 °C to 232 °C)
- Orifice sizes: 0.18" (4.6 mm) to 1.5" (38.1 mm)
- Standard average internal surface roughness Ra 25 µin. (0.6 µm)
- Each valve leak-tested with nitrogen or compressed air at rated working pressure to achieve no visible leakage
- Helium leak testing optional, helium leak rate $\leq 1 \times 10^{-8}$ std cm³/s
- End connection welded tube in customized length available
- Pneumatic and electric actuator available

Pressure vs. Temperature

05/07/10/13/22 Orifice



32/38 Orifice



Notes:

- The temperature and pressure rating is based on valves of standard materials.
- Modified PTFE is a modified second generation polytetrafluoroethylene (TFM 1600), which is a PFA and PTFE composite. It has comparable chemical compatibility with PTFE, lower deformation rate than PTFE, and higher pressure and temperature tolerance than PTFE.

Working Pressure of the Weld End at -28 °C to 38 °C

Valve Material	End Code	Size	Working Pressure psig
316 SS	TB4	1/4"x0.035"	5100
	TB6	3/8"x0.035"	3300
	TB8	1/2"x0.049"	3700
	TB12	3/4"x0.065"	3300
	TB16	1"x0.065"	2400
	TB24	1 1/2"x0.065"	1600
	TB32	2"x0.065"	1200

Notes: BHP series high purity ball valves have a maximum working pressure of 3000 psig, which is also limited by the end connection.

Process Specification

Technology	Process Specification	Special Cleaning and Packaging (FC-02)	Special Cleaning and Packaging (FOG)
Material/Specification		CF8M/A351 316 SS/ASTM A479 316L SS/A269	
Internal Surface Roughness		Ra 25 µin. (0.6 µm)	
Lubrication		Special lubricant compatible with oxygen is applied to components in contact with the media, for example, DuPont GPL 227	No lubricant on components in contact with the media

Notes:

1. For a detailed description of the process specification, please refer to the process specification catalog.
2. The starting torque of valves with FOG is greater than that of valves with FC-02.

Fittings

Valves

Pressure Gauges

Integrated Systems and Others

Process Specification

Standard Materials of Construction

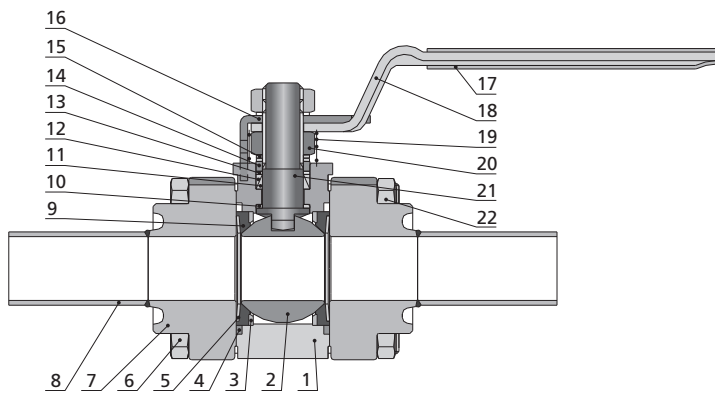
Fittings

Valves

Pressure Gauges

Integrated Systems and Others

Process Specification



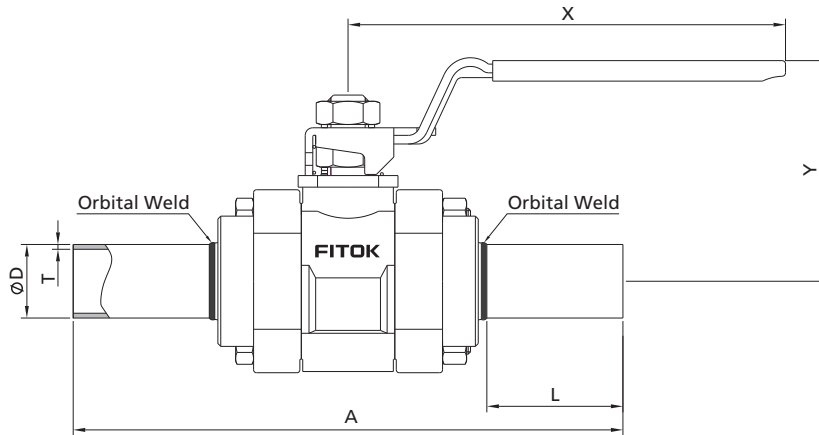
Item	Component	Material
1	<i>Body</i>	<i>CF8M/A351</i>
2	<i>Ball</i>	<i>316 SS/A479</i>
3	<i>Support Ring</i>	<i>316 SS/A240</i>
4	<i>Side Seal</i>	<i>PTFE/D1710</i>
5	<i>Butterfly Spring</i>	<i>Strain Hardened 316 SS/A240</i>
6	Body Bolt	Gr.88M/A193
7	End Cap	CF8M/A351
8	Welded Tube	316L/A269
9	Valve Seat	PTFE/Modified PTFE/PEEK
10	Stem Bearing	PEEK
11	Lower Packing	PTFE/D1710
12	Upper Packing	PTFE/D1710
13	Packing Support	PEEK
14	Seal Gland	PTFE-coated 316 SS/A479
15	Stem Spring	Strain Hardened 316 SS/A240
16	Stop Plate	304 SS/240
17	Handle Cover	Vinyl Plastic
18	Handle	304 SS/A240
19	Grounding Spring	302 SS/A313
20	Stem Nut	Gr.8M/A194
21	Stem	<i>316 SS/A479</i>
22	Body Nut	Gr.8M/A194

Note:

Components in contact with the media are listed in italics, for other materials of the valve please contact FITOK Group or authorized agent.

Dimensions

Dimensions in in. (mm) are for reference only and subject to change.

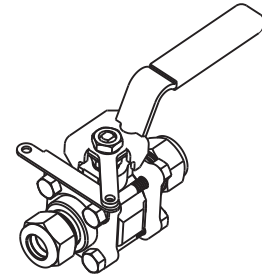


Ordering Information	Connection Type and Size	Orifice in. (mm)	Cv	Dimensions, in. (mm)							
				A	L	D	T	X	Y		
BHPSS-TB4-05	1/4" x 0.035" Fractional Extended Tube Plain Butt Weld	0.18 (4.6)	1.1	3.54 (90)	0.79 (20)	0.25 (6.35)	0.035 (0.89)	2.37 (60.2)	1.66 (42.2)		
BHPSS-FL4-05	1/4" FITOK Tube Fittings	0.19 (4.8)	1.2	3.17 (80.5)	—	—	—				
BHPSS-ML6-05	6 mm FITOK Tube Fittings		2.5	—	—	—	—				
BHPSS-ML8-05	8 mm FITOK Tube Fittings	0.28 (7.1)	3.8	3.54 (90)	0.79 (20)	0.375 (9.53)	0.035 (0.89)	2.37 (60.2)	1.66 (42.2)		
BHPSS-TB6-07	3/8" x 0.035" Fractional Extended Tube Plain Butt Weld			3.17 (80.5)	—	—	—				
BHPSS-FL6-07	3/8" FITOK Tube Fittings			3.20 (81.3)	—	—	—				
BHPSS-ML10-07	10 mm FITOK Tube Fittings	0.40 (10.2)	7.2	4.72 (120)	1.18 (30)	0.50 (12.7)	0.049 (1.24)	4.50 (114)	2.35 (59.7)		
BHPSS-TB8-10	1/2" x 0.049" Fractional Extended Tube Plain Butt Weld			4.04 (103.0)	—	—	—				
BHPSS-FL8-10	1/2" FITOK Tube Fittings			4.04 (103)	—	—	—				
BHPSS-ML12-10	12 mm FITOK Tube Fittings	0.52 (13.1)	13.6	4.04 (103)	—	—	—	4.50 (114)	2.35 (59.7)		
BHPSS-FL12-13	3/4" FITOK Tube Fittings			—	—	—					
BHPSS-ML16-13	16 mm FITOK Tube Fittings			—	—	—					
BHPSS-ML18-13	18 mm FITOK Tube Fittings	0.62 (15.7)	18	5.12 (170)	1.42 (40)	0.75 (19.05)	0.065 (1.65)	6.00 (152)	2.94 (74.7)		
BHPSS-TB12-22	3/4" x 0.065" Fractional Extended Tube Plain Butt Weld			0.87 (22.1)	36	6.3 (190)	1.97 (50)			1.00 (25.4)	0.065 (1.65)
BHPSS-TB16-22	1" x 0.065" Fractional Extended Tube Plain Butt Weld			0.88 (22.2)	40	5.36 (136)	—			—	—
BHPSS-FL16-22	1" FITOK Tube Fittings	6.34 (161)	—			—	—				
BHPSS-FL20-22	1 1/4" FITOK Tube Fittings	5.36 (136)	—			—	—				
BHPSS-ML25-22	25 mm FITOK Tube Fittings	6.14 (156)	—			—	—				
BHPSS-ML28-22	28 mm FITOK Tube Fittings	1.25 (31.8)	100	8.59 (218.2)	2.07 (52.6)	1.50 (38.1)	0.065 (1.65)	9.14 (232)	4.03 (102)		
BHPSS-TB24-32	1 1/2" x 0.065" Fractional Extended Tube Plain Butt Weld			1.50 (38.1)	130	9.03 (229.3)	2.04 (51.8)			2.00 (50.8)	0.065 (1.65)
BHPSS-TB32-38	2" x 0.065" Fractional Extended Tube Plain Butt Weld			—	—	—	—			—	—

- Sizes and types listed are standard. Other sizes and types are available upon request, please contact FITOK Group or our authorized distributors.
- Connection tube length can be specified, such as BHPSS-TB4-05, if L=30 mm is required, the part number should be changed to BHPSS-TB4xL30-05.

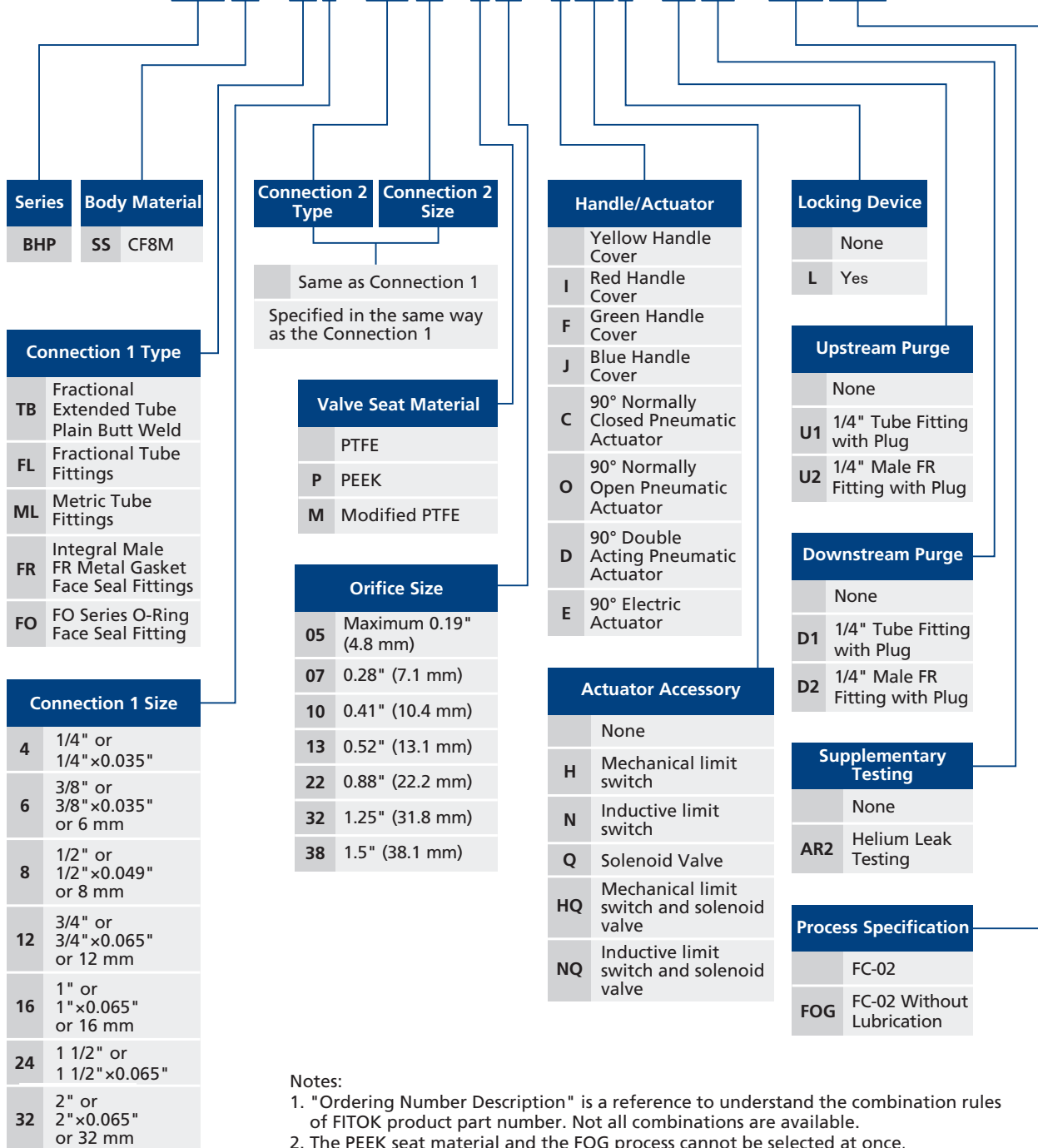
Locking Device

- Lock BHP series valves, locking hole diameters of the whole series of valves are 0.20 in. (5 mm).
- To order a ball valve with locking device, please refer to the "Ordering Number Description" and add -L to the valve ordering number.
Example: BHPSS-FL16-22-L



Ordering Number Description

BHPSS - FL8 - ML12 - P13 - CHQL - U1D1 - AR2FOG



Notes:

- "Ordering Number Description" is a reference to understand the combination rules of FITOK product part number. Not all combinations are available.
- The PEEK seat material and the FOG process cannot be selected at once.

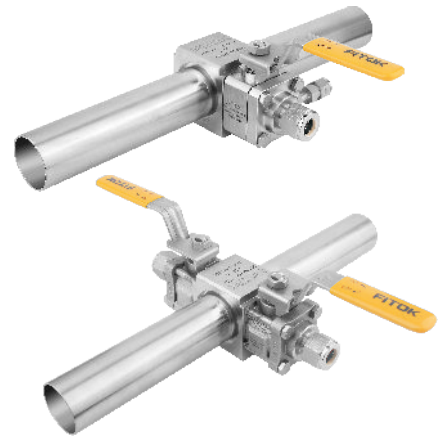
High Purity Ball Valves

Distribution Block Valves

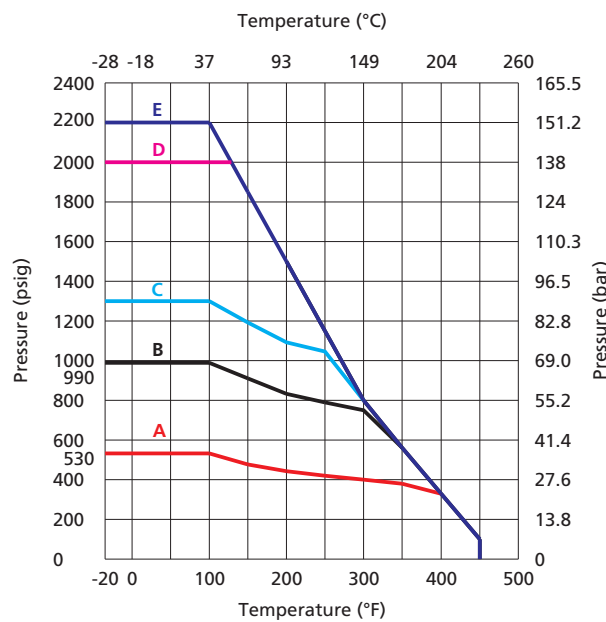
BDP Series

Features

- Working temperature: -20 °F to 450 °F (-28 °C to 232 °C)
- Main line tube is full bore
- Main line Tube with orbital welding
- Branch ball valves are BHP series 3-piece high purity ball valves
- Standard average internal surface roughness Ra 25 µin. (0.6 µm)
- Each valve leak-tested with nitrogen or compressed air at rated working pressure to achieve no visible leakage
- Helium leak testing optional, helium leak rate $\leq 1 \times 10^{-8}$ std cm³/s
- Main line tube and branch line ball valves available in different sizes



Pressure vs. Temperature



Main Line Tube Size in (mm)	4x0.083	2x0.065	1 1/2x0.065	1x0.065	3/4x0.065 1/2x0.049
Orifice Code	38, 32	13, 10	13, 10, 07	13, 10, 07	05, 07
Temperature and Pressure Curve	A —	B —	C —	D —	E —

Fittings

Valves

Pressure Gauges

Integrated Systems and Others

Process Specification

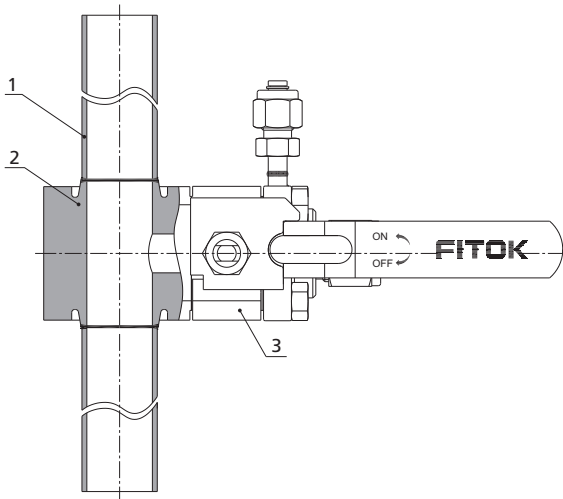
Process Specification

Technology	Process Specification	Special Cleaning and Packaging (FC-02)	Special Cleaning and Packaging (FOG)
Material/Specification		316L SS/A269 316 SS/ASTM A479	
Internal Surface Roughness		Ra 25 µin. (0.6 µm)	
Lubrication		Special lubricant compatible with oxygen is applied to components in contact with the media, for example, DuPont GPL 227	No lubricant on components in contact with the media

Notes:

1. For a detailed description of the process specification, please refer to the process specification catalog.
2. The starting torque of valves with FOG is greater than that of valves with FC-02.

Materials of Construction



Item	Component	Material
1	<i>Main Line Tube</i>	<i>316 L SS/A269</i>
2	<i>Valve block</i>	<i>316 L SS/A479</i>
3	<i>Branch Ball Valve</i>	<i>Body</i>
		<i>Seat</i>

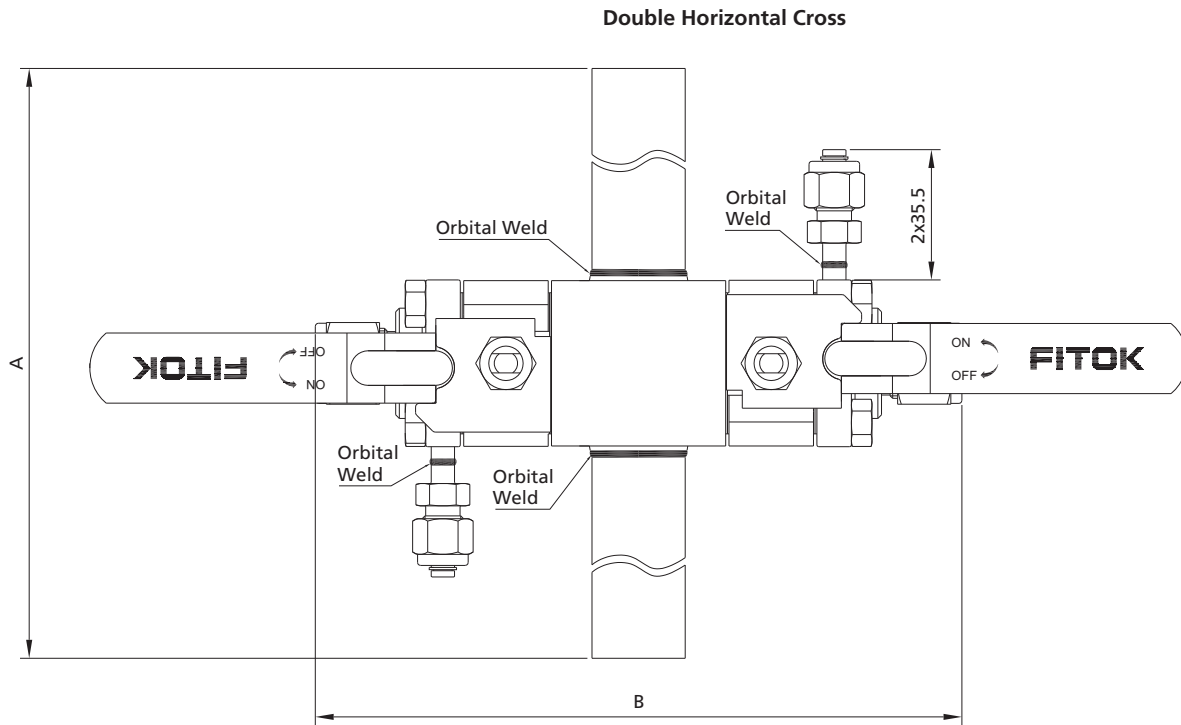
Notes:

Components in contact with the media are listed in italics. Branch ball valves are BHP series, and other parts not listed are the same materials as BHP series standard valve parts.

Ordering information and dimensions

Please refer to BHP series for the dimensions of branch ball valves.

Dimensions are indicated in in. (mm), only for reference and subject to change.



Ordering information	Main line tube size in. (mm)	Branch line tube end size	Orifice in. (mm)	Dimensions, in. (mm)	
				A	B
BDPSS-DHC-TB8-FL4-05-D1	1/2x0.049	1/4 in.	0.187 (4.8)	7.00 (178)	5.19 (132)
BDPSS-DHC-TB8-FL6-07-D1		3/8 in.	0.281 (7.1)		
BDPSS-DHC-TB12-FL4-05-D1	3/4x0.065	1/4 in.	0.187 (4.8)	9.00 (229)	5.19 (132)
BDPSS-DHC-TB12-FL6-07-D1		3/8 in.	0.281 (7.1)		
BDPSS-DHC-TB16-FL6-07-D1	1x0.065	3/8 in.	0.281 (7.1)	13.0 (330)	6.69 (170)
BDPSS-DHC-TB16-FL8-10-D1		1/2 in.	0.411 (10.4)		6.88 (175)
BDPSS-DHC-TB16-FL12-13-D1		3/4 in.	0.516 (13.1)		
BDPSS-DHC-TB24-FL6-07-D1	1 1/2x0.065	3/8 in.	0.281 (7.1)	13.0 (330)	6.94 (176)
BDPSS-DHC-TB24-FL8-10-D1		1/2 in.	0.411 (10.4)		7.13 (181)
BDPSS-DHC-TB24-FL12-13-D1		3/4 in.	0.516 (13.1)		
BDPSS-DHC-TB32-FL8-10-D1	2x0.065	1/2 in.	0.411 (10.4)	13.0 (330)	8.19 (208)
BDPSS-DHC-TB32-FL12-13-D1		3/4 in.	0.516 (13.1)		
BDPSS-DHC-TB64-FL24-32-D1	4x0.083	1 1/2 in.	1.250 (31.8)	23.0 (584)	14.4 (365)
BDPSS-DHC-TB64-FL32-38-D1		2 in.	1.500 (38.1)		17.2 (437)

Fittings

Valves

Pressure Gauges

Integrated Systems and Others

Process Specification

Fittings

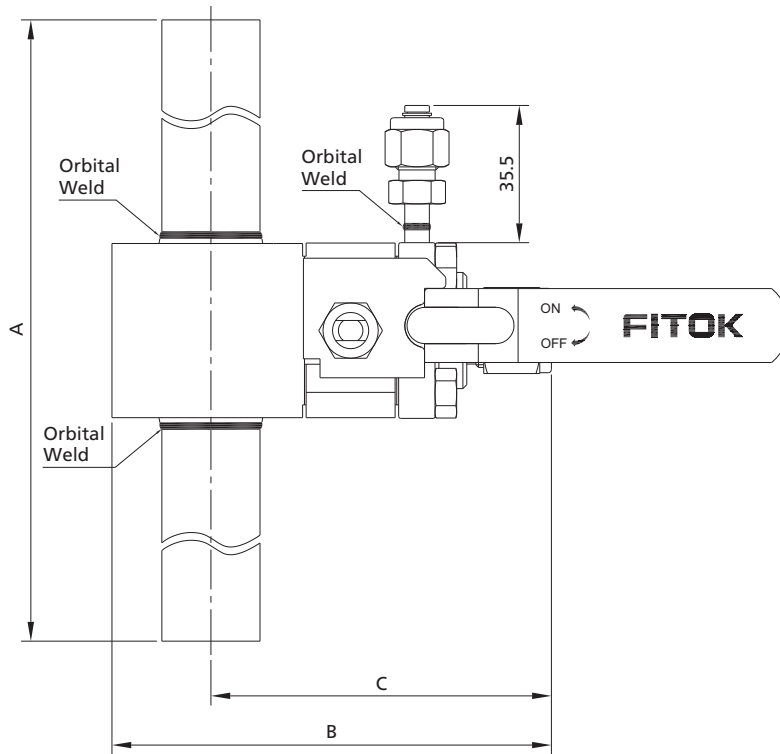
Valves

Pressure Gauges

Integrated Systems and Others

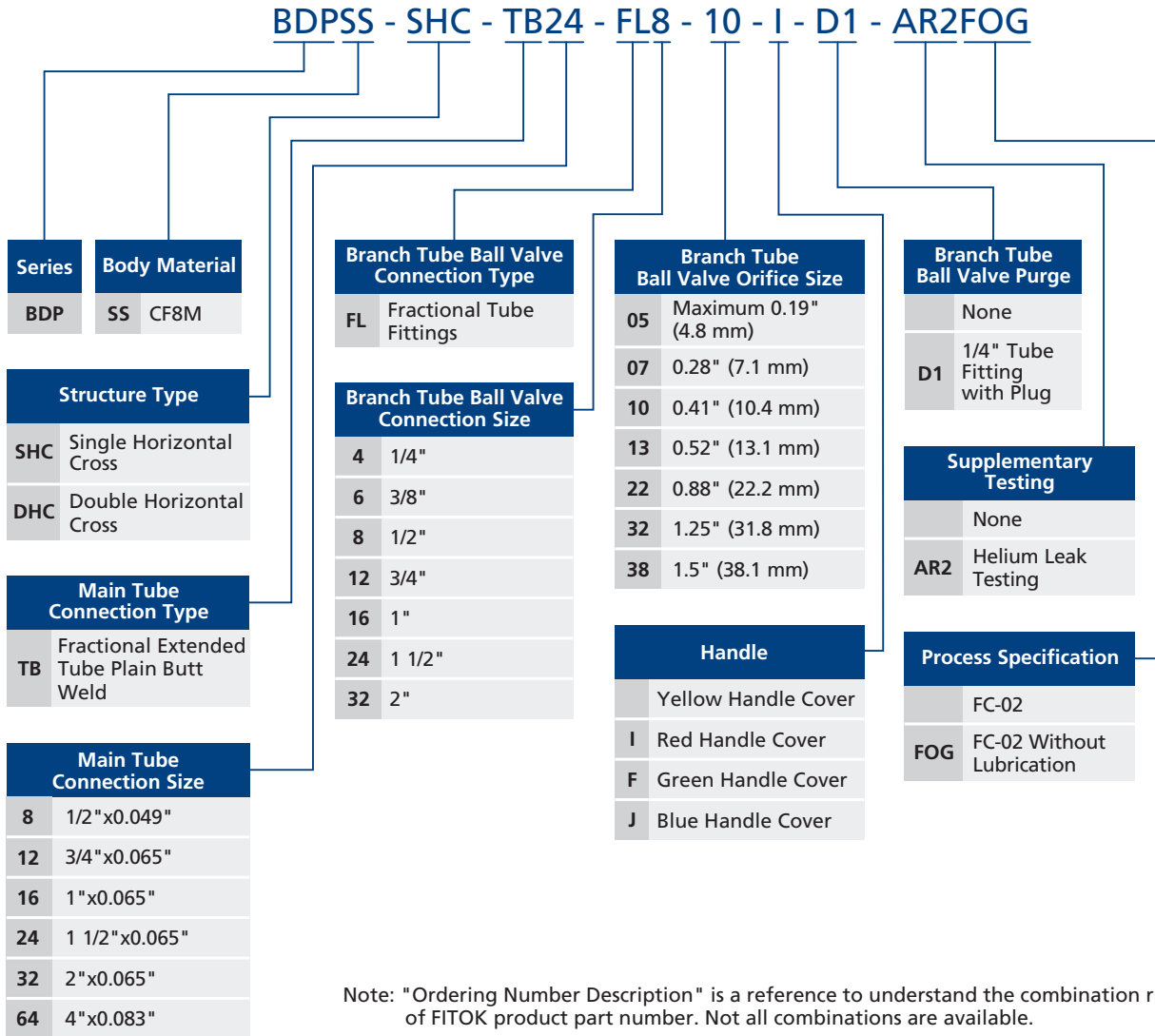
Process Specification

Single Horizontal Cross



Ordering information	Main line tube size in. (mm)	Branch line tube end size	Orifice in. (mm)	Dimensions, in. (mm)		
				A	B	C
BDPSS-SHC-TB8-FL4-05-D1	1/2x0.049	1/4 in.	0.187 (4.8)	7.00 (178)	3.31 (84.1)	2.56 (65.0)
BDPSS-SHC-TB8-FL6-07-D1		3/8 in.	0.281 (7.1)			
BDPSS-SHC-TB12-FL4-05-D1	3/4x0.065	1/4 in.	0.187 (4.8)	9.00 (229)	3.31 (84.1)	2.56 (65.0)
BDPSS-SHC-TB12-FL6-07-D1		3/8 in.	0.281 (7.1)			
BDPSS-SHC-TB16-FL6-07-D1	1x0.065	3/8 in.	0.281 (7.1)	13.0 (330)	4.31 (109)	3.31 (84.1)
BDPSS-SHC-TB16-FL8-10-D1		1/2 in.	0.411 (10.4)		4.44 (113)	3.44 (87.4)
BDPSS-SHC-TB16-FL12-13-D1		3/4 in.	0.516 (13.1)			
BDPSS-SHC-TB24-FL6-07-D1	1 1/2x0.065	3/8 in.	0.281 (7.1)	13.0 (330)	4.56 (116)	3.44 (87.4)
BDPSS-SHC-TB24-FL8-10-D1		1/2 in.	0.411 (10.4)		4.69 (119)	6.56 (90.4)
BDPSS-SHC-TB24-FL12-13-D1		3/4 in.	0.516 (13.1)			
BDPSS-SHC-TB32-FL8-10-D1	2x0.065	1/2 in.	0.411 (10.4)	13.0 (330)	5.97 (152)	4.06 (103)
BDPSS-SHC-TB32-FL12-13-D1		3/4 in.	0.516 (13.1)			
BDPSS-SHC-TB64-FL24-32-D1	4x0.083	1 1/2 in.	1.250 (31.8)	23.0 (584)	10.2 (259)	7.19 (183)
BDPSS-SHC-TB64-FL32-38-D1		2 in.	1.500 (38.1)		11.6 (295)	8.63 (219)

Ordering Number Description



Fittings

Valves

Pressure Gauges

Integrated Systems and Others

Process Specification

High Purity Ball Valves

Hex Bar Stock High Purity Ball Valves BRP Series

Introduction

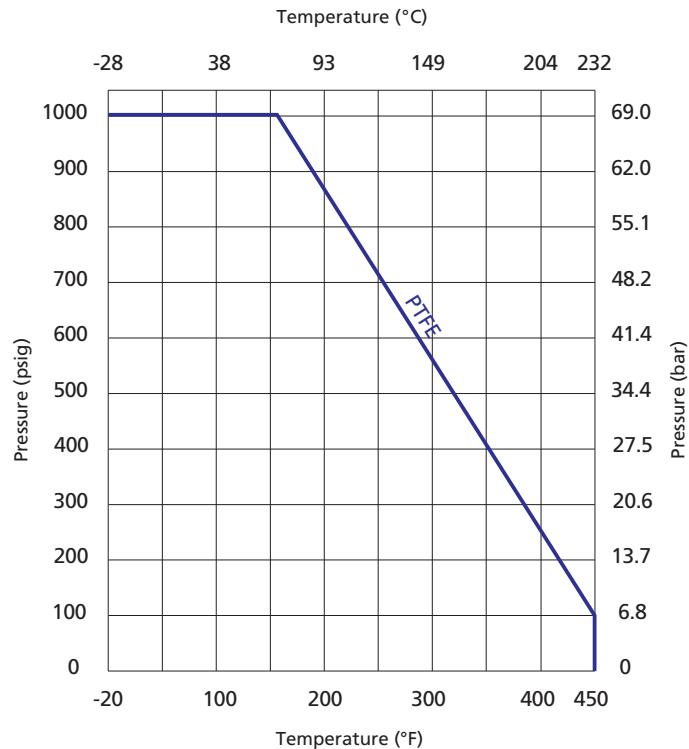
FITOK BRP series hex bar high purity ball valves are designed to meet the requirements of degreasing, low working pressure and bi-directional flow for the clean dry air (CDA) and bulk gas distribution line, which are widely used in specialty gas, semiconductor and chemical industries.



Features

- ⦿ Working pressure up to: 1000 psig (69.0 bar)
- ⦿ Working temperature: -20 °F to 450 °F (-28 °C to 232 °C)
- ⦿ Orifice sizes: 0.19" (4.8 mm) to 0.35" (8.9 mm)
- ⦿ Standard average internal surface roughness Ra 25 μin. (0.6 μm)
- ⦿ Each valve leak-tested with nitrogen or compressed air at rated working pressure to achieve no visible leakage
- ⦿ Helium leak testing optional, helium leak rate $\leq 1 \times 10^{-8}$ std cm³/s

Pressure vs. Temperature



Note: The temperature and pressure rating is based on valves of standard materials.

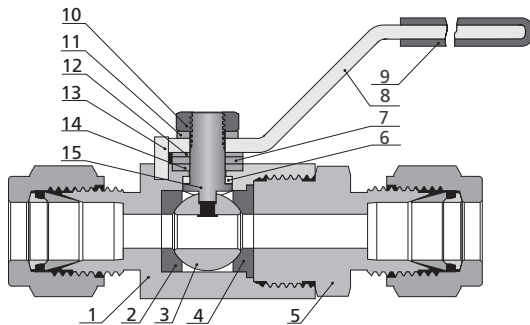
Process Specification

Technology	Process Specification	Special Cleaning and Packaging (FC-02)	Special Cleaning and Packaging (FOG)
Material/Specification		316 SS/ASTM A479	
Internal Surface Roughness		Ra 25 µin. (0.6 µm)	
Lubrication		Special lubricant compatible with oxygen is applied to components in contact with the media, for example, DuPont GPL 227	No lubricant on components in contact with the media

Notes:

1. For a detailed description of the process specification, please refer to the process specification catalog.
2. The starting torque of valves with FOG is greater than that of valves with FC-02.

Standard Materials of Construction

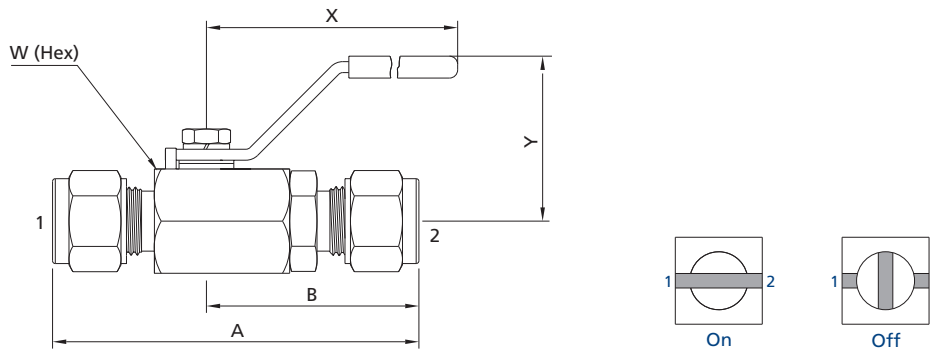


Item	Component	Material
1	<i>Body</i>	316 SS/A479
2	<i>Front Seat</i>	PTFE/D1710
3	<i>Ball</i>	316 SS/A479
4	<i>Back Seat</i>	PTFE/D1710
5	<i>End Connection</i>	316 SS/A479
6	<i>Lower Packing</i>	PTFE/D1710
7	Washer	316 SS/A479
8	Handle	304 SS/A240
9	Sleeve	Vinyl
10	Stem Nut	Stainless Steel
11	Gasket	Stainless Steel
12	Coned-Disc Spring	304 SS/A240
13	Stop Pin	Stainless Steel
14	<i>Upper Packing</i>	PTFE/D1710
15	<i>Stem</i>	316 SS/A479

Notes: Components in contact with the media are listed in italics. For other materials, please contact FITOK Group or our authorized distributors.

Dimensions

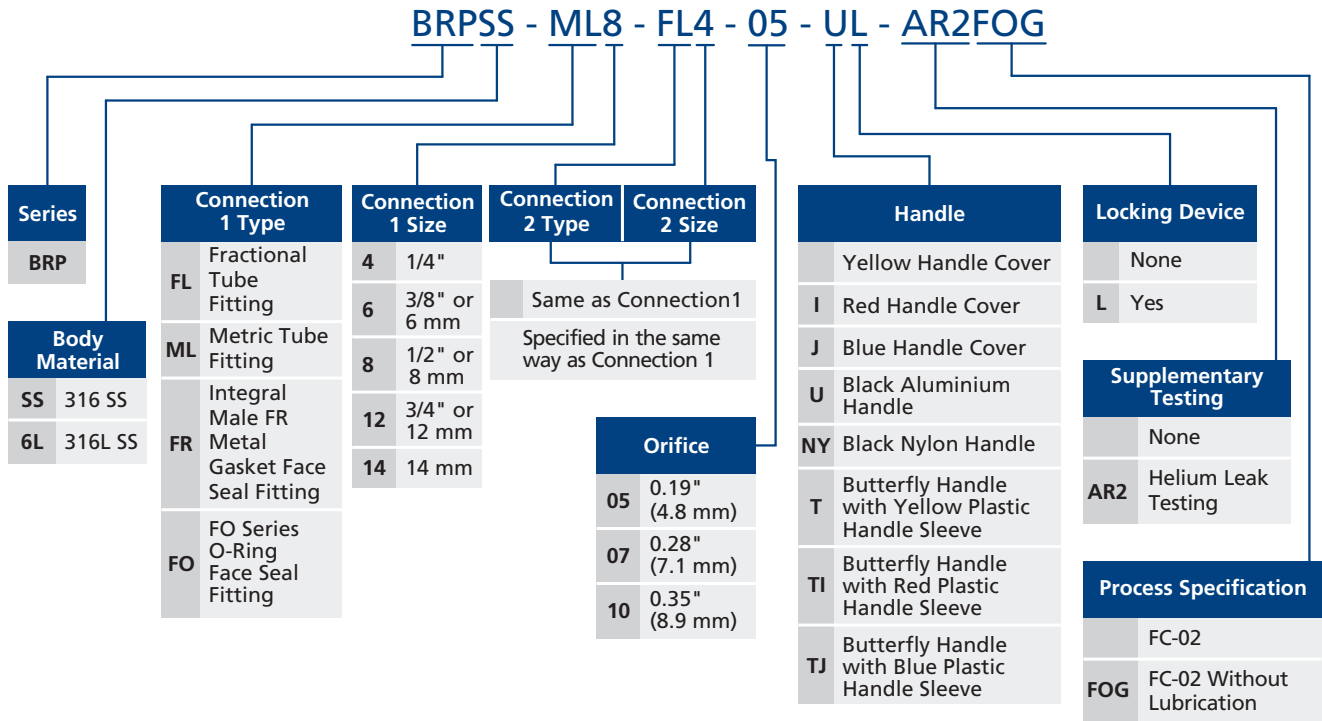
Dimensions in in. (mm) are for reference only and subject to change.



Basic Ordering Number	Connection Type and Size		Orifice in. (mm)	Cv	Dimensions, in. (mm)				
	Connection 1	Connection 2			A	B	W	X	Y
BRP□□-ML6-05	6 mm FITOK		0.19 (4.8)	1.25	2.75 (65.2)	1.50 (38.1)	3/4 (38.1)	2.36 (60.0)	1.18 (30.0)
BRP□□-ML8-05	8 mm FITOK				2.63 (66.8)	1.53 (38.8)			
BRP□□-FL4-05	1/4" FITOK				2.57 (65.2)	1.50 (38.1)			
BRP□□-ML10-07	10 mm FITOK		0.28 (7.1)	2.50	2.78 (72.9)	1.68 (42.7)	7/8 (22.23)		1.26 (32.0)
BRP□□-FL6-07	3/8" FITOK								
BRP□□-ML12-10	12 mm FITOK		0.35 (8.9)	9.25	3.15 (80.0)	1.83 (46.5)	1 1/16 (27.0)	3.15 (80.0)	1.54 (39.0)
BRP□□-ML14-10	14 mm FITOK				3.24 (82.2)	1.87 (47.5)			
BRP□□-FL8-10	1/2" FITOK				3.15 (80.0)	1.83 (46.5)			
BRP□□-FL10-10	5/8" FITOK				3.24 (82.2)	1.87 (47.5)			

1. FITOK refers to FITOK double ferrule tube fittings.
2. Sizes and types listed are standard. Other sizes and types are available upon request, please contact FITOK Group or our authorized distributors.

Ordering Number Description



Note: "Ordering Number Description" is a reference to understand the combination rules of FITOK product part number. Not all combinations are available.

Fittings

Valves

Pressure Gauges

Integrated Systems and Others

Process Specification