

Integrated Gas System Substrates

ISC and ISW Series



Integrated Gas System Substrates

ISC Series

Features

- ⦿ Materials compliant with SEMI F20 standard
- ⦿ Multiple types of flow path applicable to various integrated systems
- ⦿ Final assembly and packaging performed in ISO 4 cleanroom

Technical Data

- ⦿ 1.125" C-Seal
- ⦿ Helium Leakage Rate $\leq 1 \times 10^{-9}$ std cm³/s
- ⦿ FC-03 Ultra-high Purity Process Specification,
- ⦿ Wetted Surface Roughness Less than Ra 5 μ m. (0.13 μ m)



Contents

Standard Substrates -IVB



02

1-Path Bypass Substrates -ISB



05

Plugs -IEC



07

Transition Substrates -ITC



09

Mount Block -IDK



09

Brackets -IZJ



10

Ordering Number Description

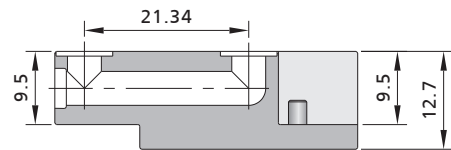
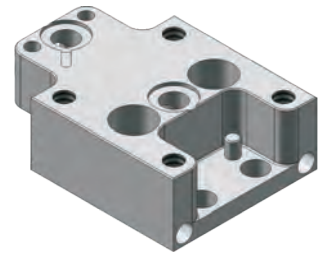
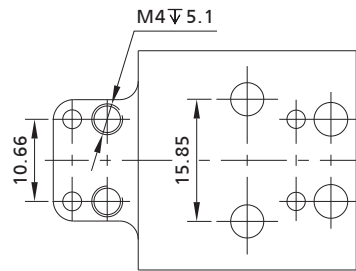
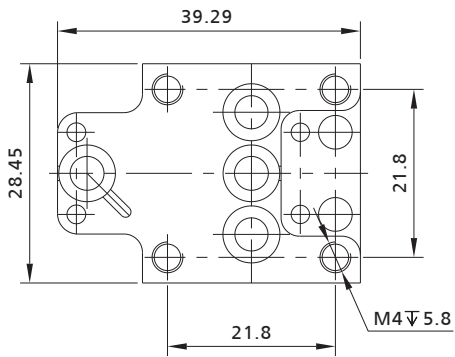
12

Dimensions and Ordering Information

Standard Substrates

Basic Ordering Number: -IVB-CS11-D200-F3

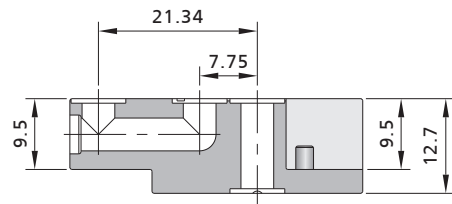
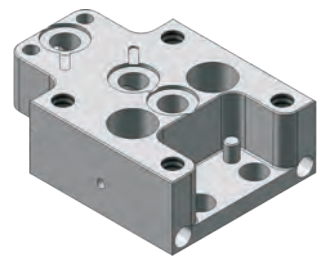
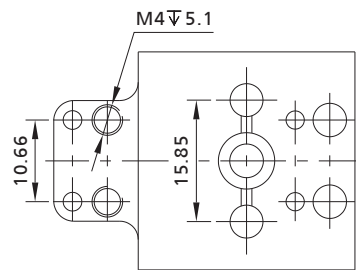
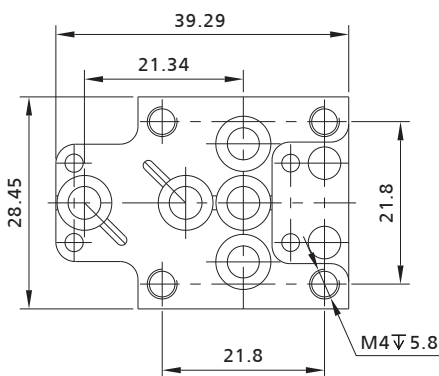
Unit: mm



Standard Substrates

Basic Ordering Number: -IVB-CS11-D310-F3

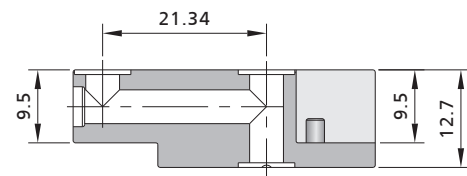
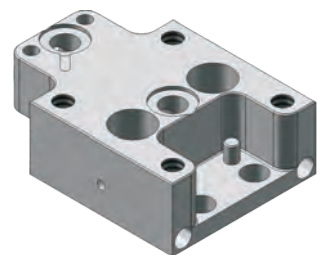
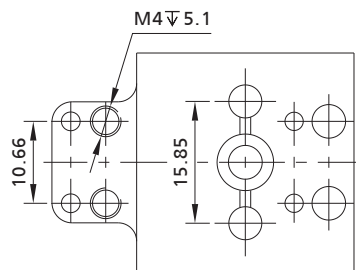
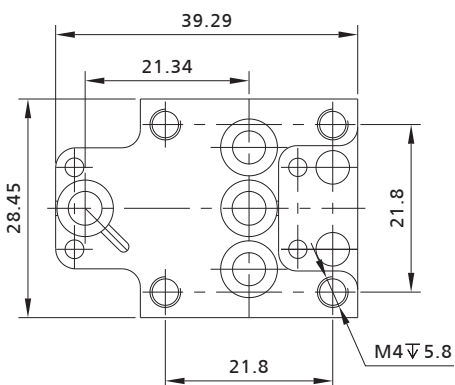
Unit: mm



Standard Substrates

Basic Ordering Number: -IVB-CS11-D210-F3

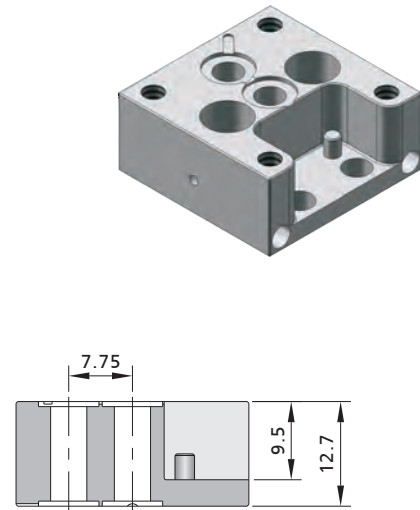
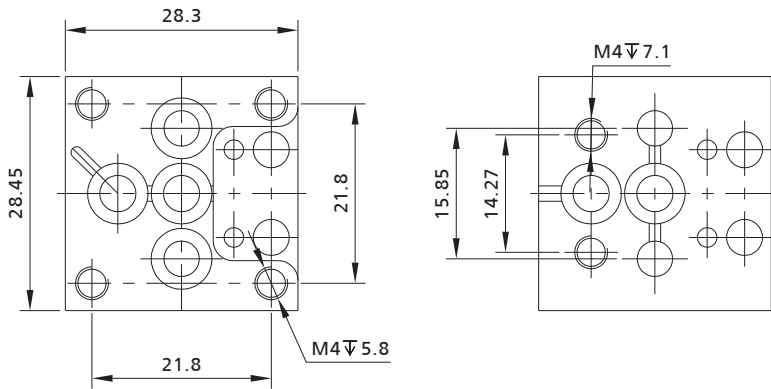
Unit: mm



Standard Substrates

Basic Ordering Number: -IVB-CS11-F220-F3

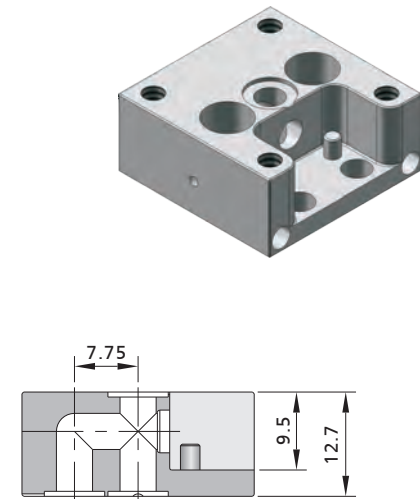
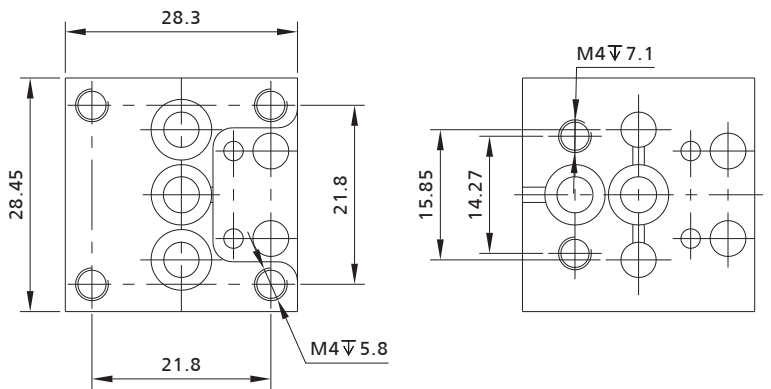
Unit: mm



Standard Substrates

Basic Ordering Number: -IVB-CS11-F120-F3

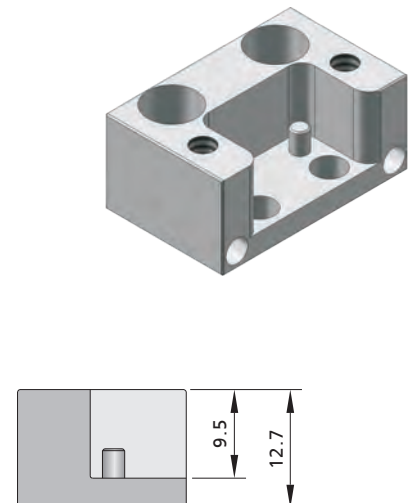
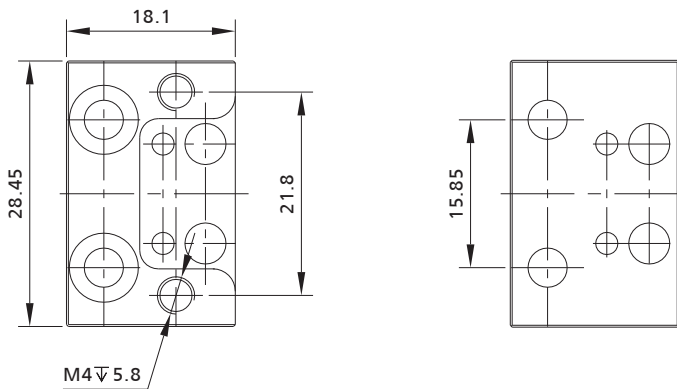
Unit: mm



Standard Substrates

Basic Ordering Number: -IVB-CS11-F002-F3

Unit: mm

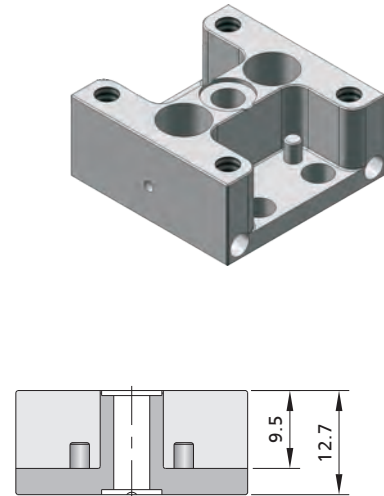
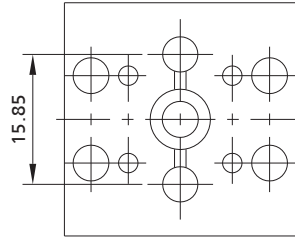
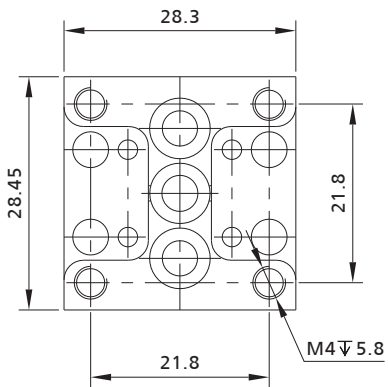


05 Integrated Gas System Substrates

Standard Substrates

Basic Ordering Number: -IVB-CS11-B110-F3

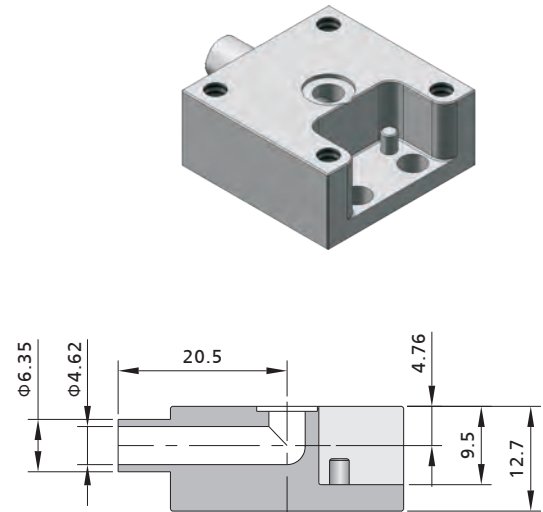
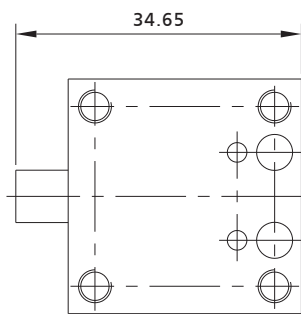
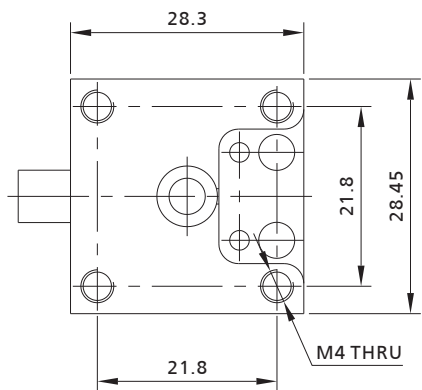
Unit: mm



Standard Substrates

Basic Ordering Number: -IVB-CS11-F100-F3

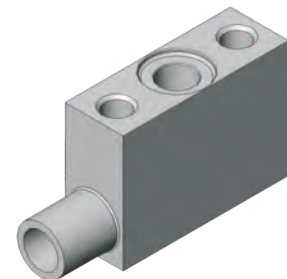
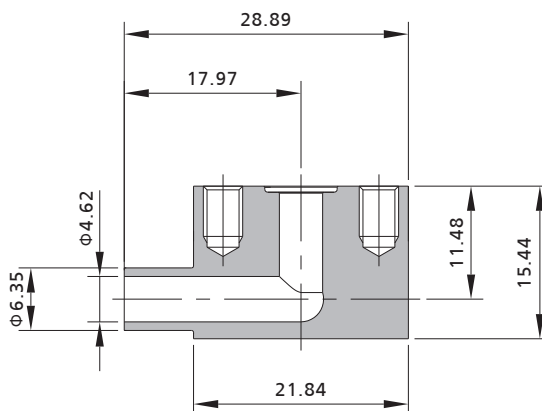
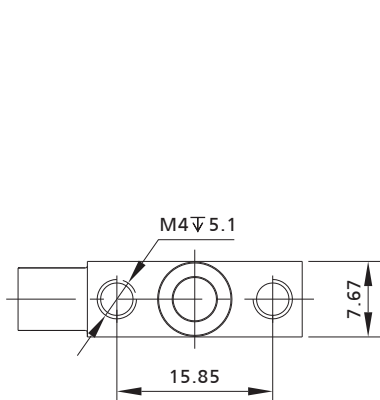
Unit: mm



1-Path Bypass Substrates

Basic Ordering Number: -ISB-CS11-S110-F3

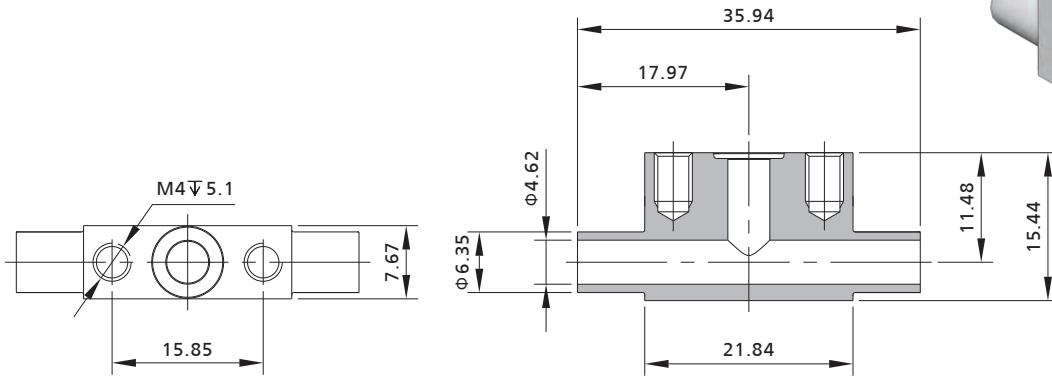
Unit: mm



1-Path Bypass Substrates

Basic Ordering Number: -ISB-CS11-S120-F3

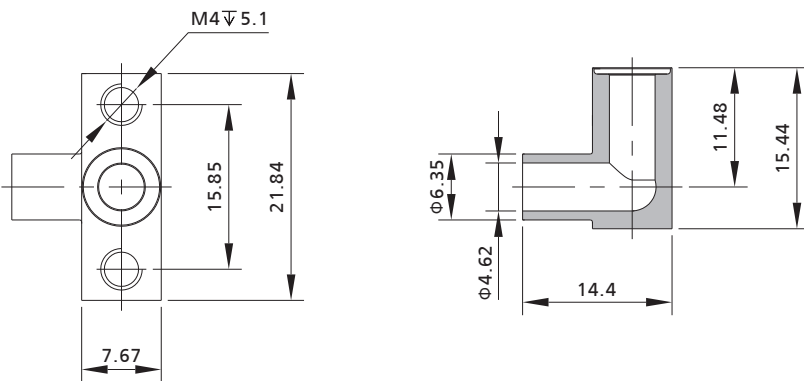
Unit: mm



1-Path Bypass Substrates

Basic Ordering Number: -ISB-CS11-S111-F3

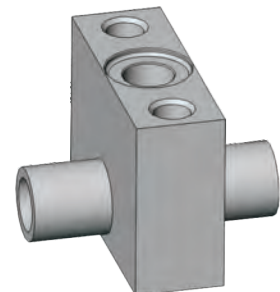
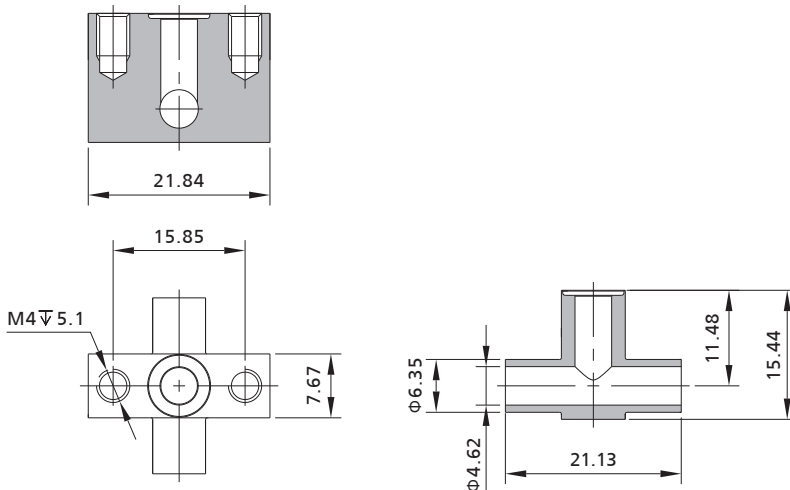
Unit: mm



1-Path Bypass Substrates

Basic Ordering Number: -ISB-CS11-S126-F3

Unit: mm

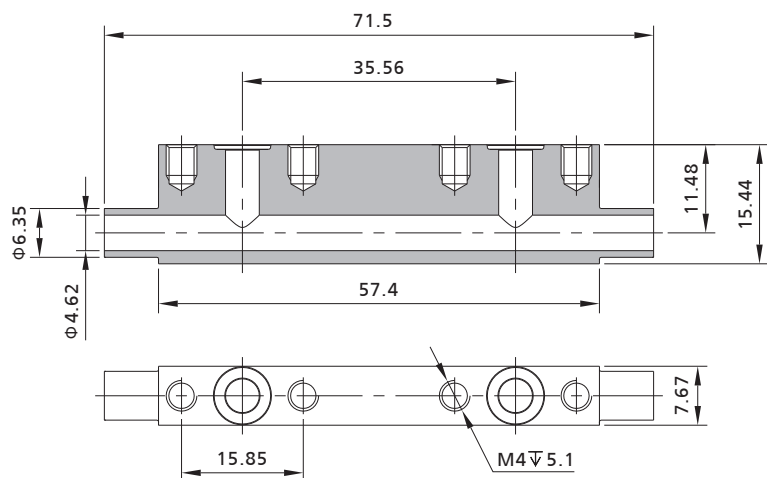


07 Integrated Gas System Substrates

1-Path Bypass Substrates

Basic Ordering Number: -ISB-CS11-M220-F3

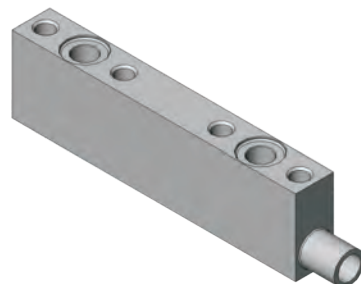
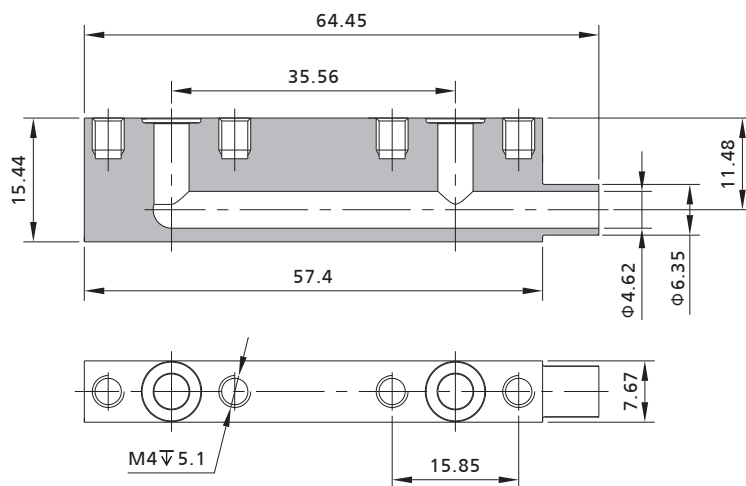
Unit: mm



1-Path Bypass Substrates

Basic Ordering Number: -ISB-CS11-M210-F3

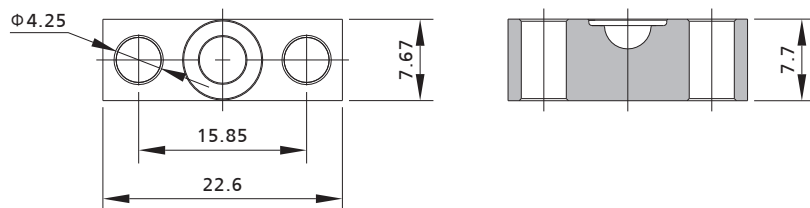
Unit: mm



Plugs

Basic Ordering Number: -IEC-CS11-S102-F3

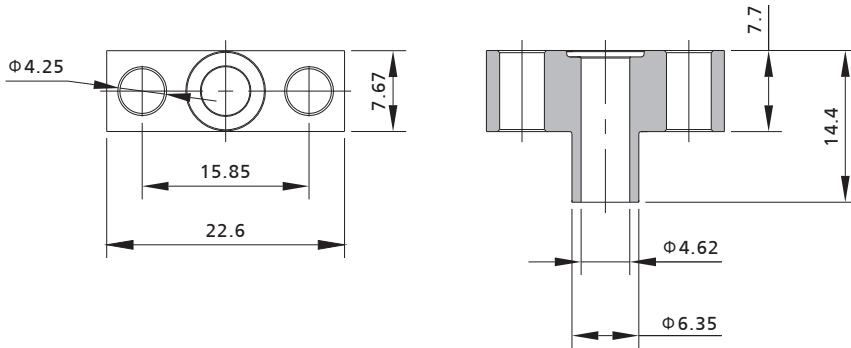
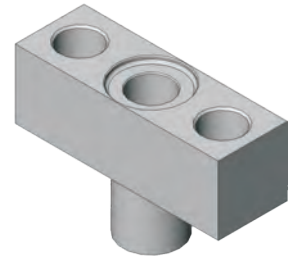
Unit: mm



Plugs

Basic Ordering Number: -IEC-CS11-S112-F3

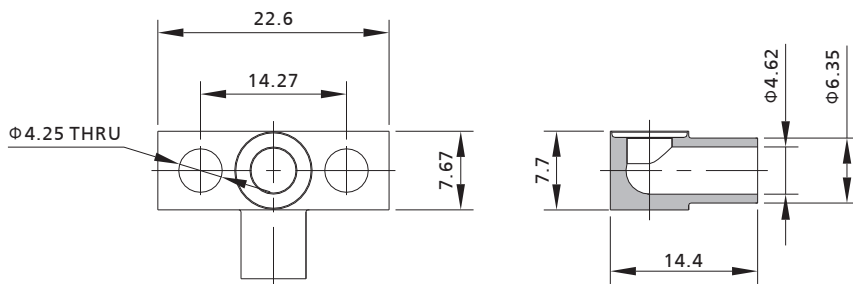
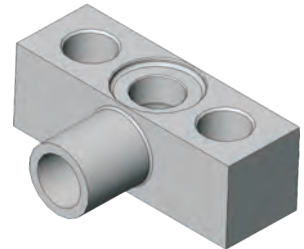
Unit: mm



Plugs

Basic Ordering Number: -IEC-CS11-S120-F3

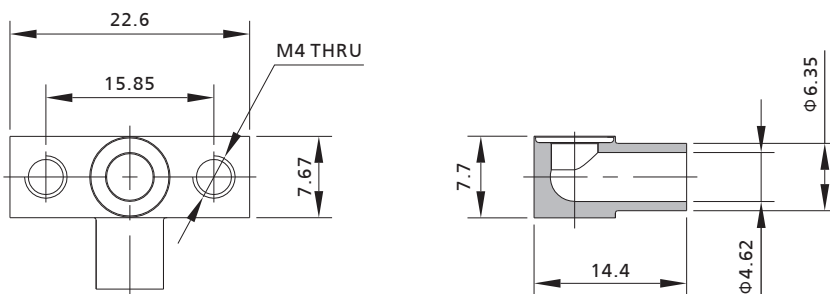
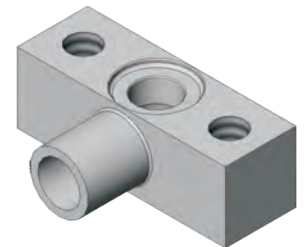
Unit: mm



Plugs

Basic Ordering Number: -IEC-CS11-S121-F3

Unit: mm

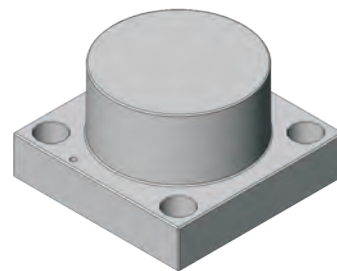
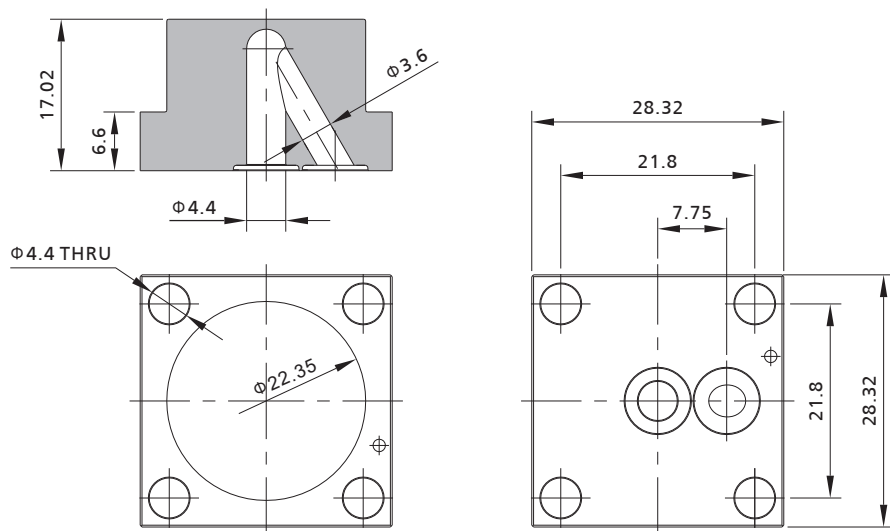


09 Integrated Gas System Substrates

Transition Substrates

Basic Ordering Number: -ITC-CS11-S200-F3

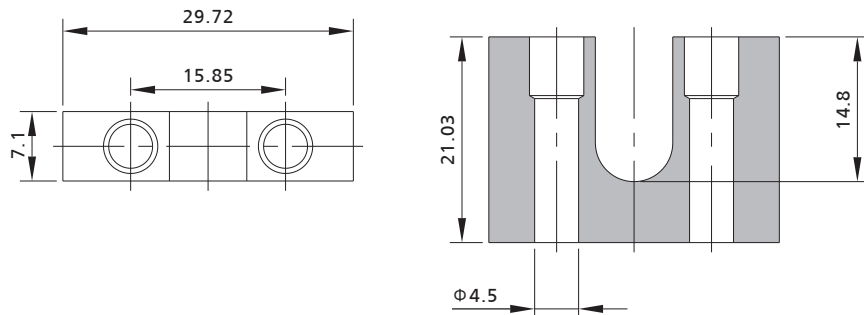
Unit: mm



Mount Blocks

Ordering Number: AL-IDK-S418-F3

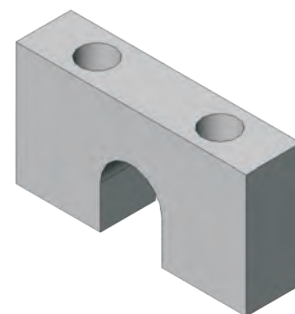
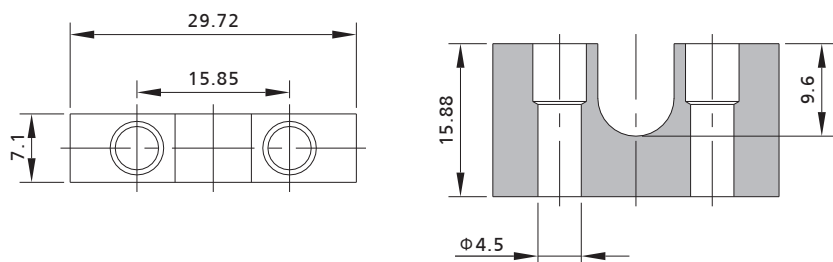
Unit: mm



Mount Blocks

Ordering Number: AL-IDK-S416-F3

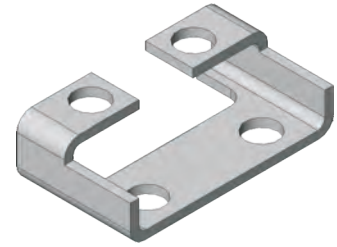
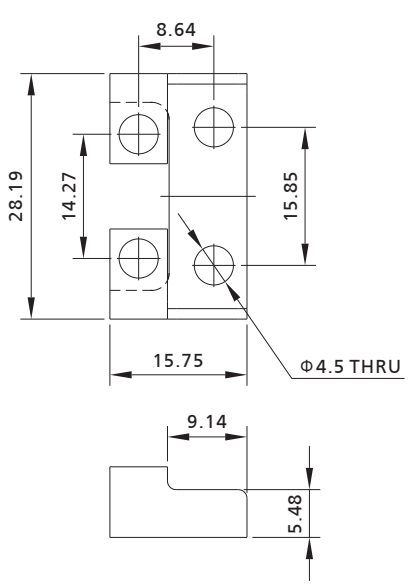
Unit: mm



Brackets

Ordering Number: S4-IZJ-C413-F3

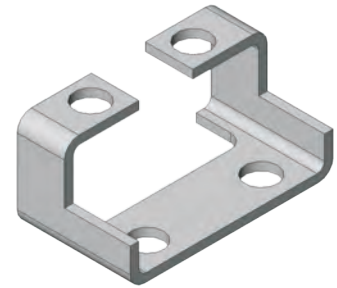
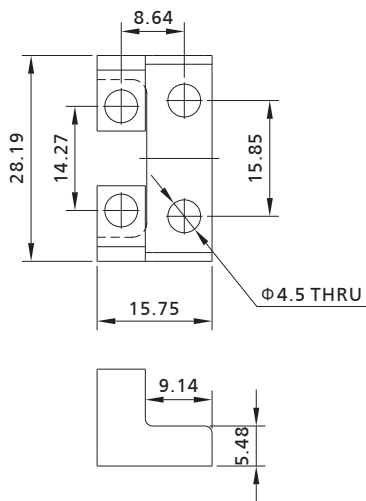
Unit: mm



Brackets

Ordering Number: S4-IZJ-C415-F3

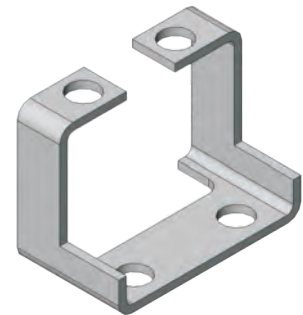
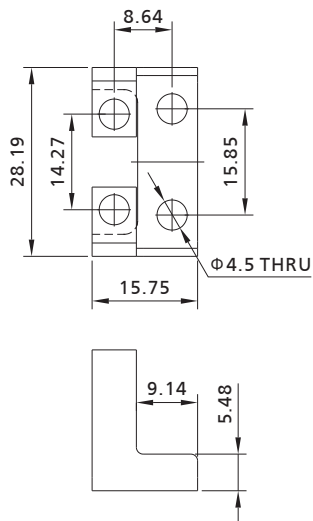
Unit: mm



Brackets

Ordering Number: S4-IZJ-C418-F3

Unit: mm

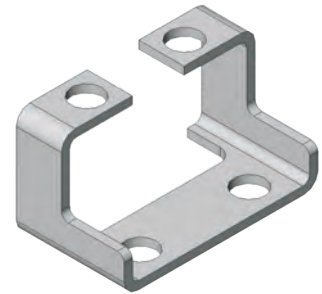
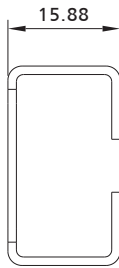
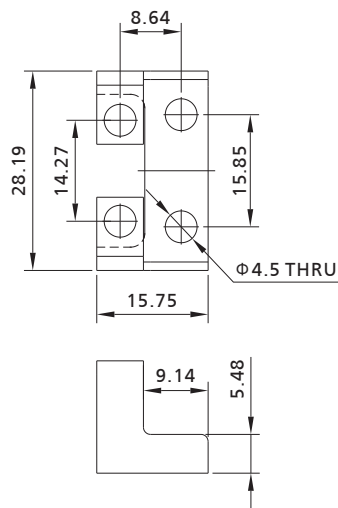


11 Integrated Gas System Substrates

Brackets

Ordering Number: S4-IZJ-C416-F3

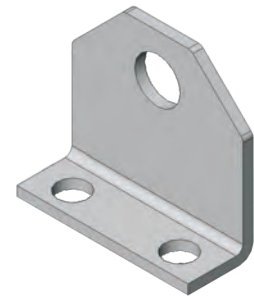
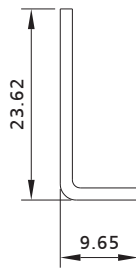
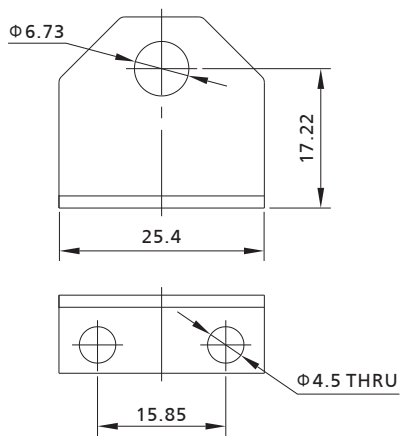
Unit: mm



Brackets

Ordering Number: S4-IZJ-L417-F3

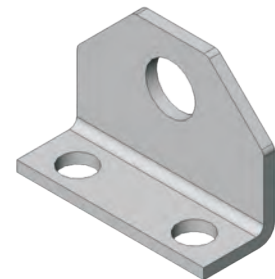
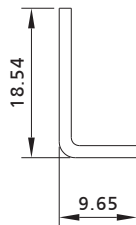
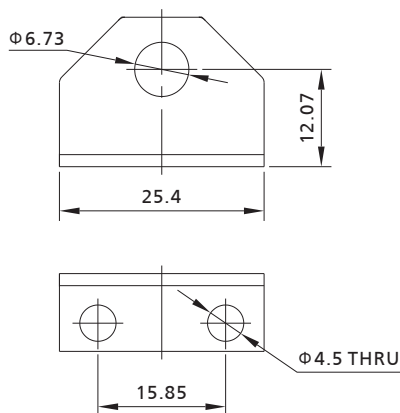
Unit: mm



Brackets

Ordering Number: S4-IZJ-L415-F3

Unit: mm



Ordering Number Description

6L - IVB - CS11 - M202 - F3

Body Material		Substrate Type		Port Type		Substrate Designator		Process Specification	
6L	316L SS	IVB	Standard Substrate	CS11	1.125" C-Seal	D200	S126	F3	FC-03
6LV	316L VAR	ISB	1-Path Bypass Substrate		Mount Block	D310	S102		
6LW	316L VIM-VAR	IEC	Plug		Bracket	D210	S112		
AL	Aluminum Alloy for Mount Block Only	ITC	Transition Substrate			M420	S120		
S4	304 SS for Bracket Only	IDK	Mount Block			M320	S121		
		IJZ	Bracket			M202	S200		
						M220	S418		
						M210	S416		
						F220	C413		
						F120	C415		
						F002	C418		
						B110	C416		
						F100	L417		
						S110	L415		
						S111			

Notes:

1. "Ordering Number Description" is a reference to understand the combination rules of FITOK product part number. Not all combinations are available. Please contact FITOK Group or our authorized distributors if you have any requests.
2. Brackets and mount blocks are cleaned only in accordance with FC-03.

Integrated Gas System Substrates

ISW Series

Features

- ⦿ Materials compliant with SEMI F20 standard
- ⦿ Distinctive installation technique to ensure a level system and facilitate stable sealing
- ⦿ Final assembly and packaging performed in ISO 4 cleanroom



Technical Data

- ⦿ 1.125" W-Seal
- ⦿ Helium Leakage Rate $\leq 1 \times 10^{-9}$ std cm³/s
- ⦿ FC-03 Ultra-high Purity Process Specification
- ⦿ Wetted Surface Roughness Less than Ra 5 μm . (0.13 μm)
For Pores with a L/D Greater Than 10, the Roughness Less Than Ra 32 μm . (0.8 μm)

Contents

Standard Substrates -IVB



02

End Substrates -IEB



10

1-Path Bypass Substrates -ISB



02

Ordering Number Description

12

Plugs -IEC



07

Transition Substrates -ITC



09

2-Path Bypass Substrates -IDB



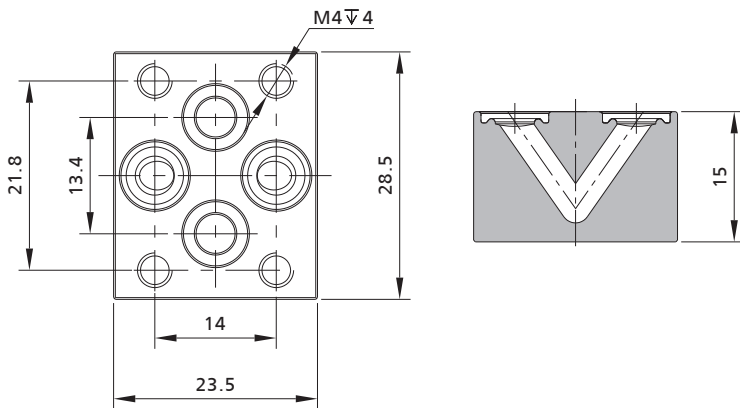
09

Dimensions and Ordering Information

Standard Substrates

Basic Ordering Number: -IVB-WS11-V014-F3

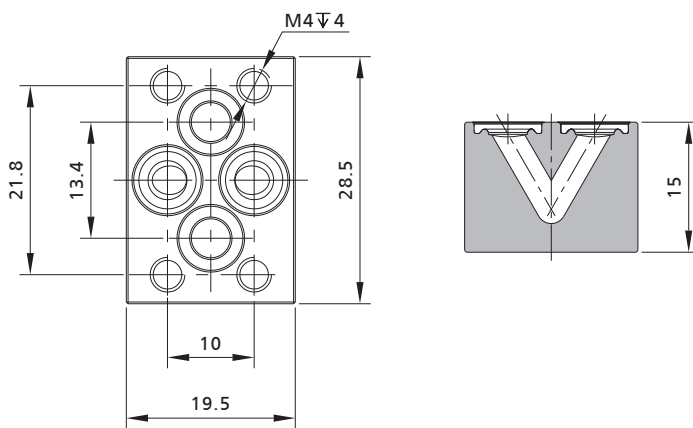
Unit: mm



Standard Substrates

Basic Ordering Number: -IVB-WS11-V010-F3

Unit: mm

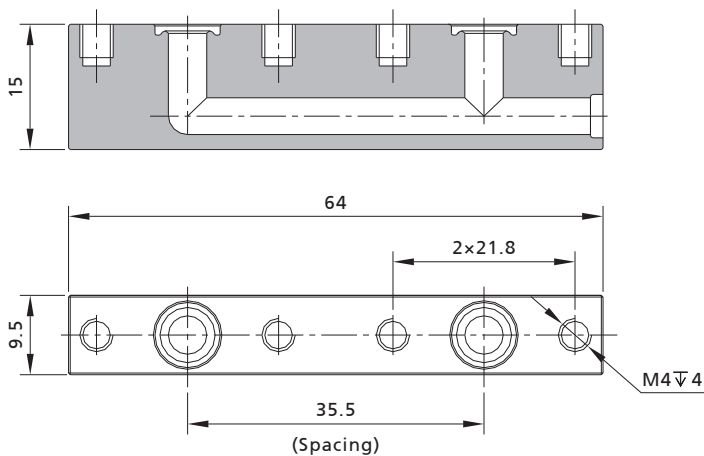


1-Path Bypass Substrates

Spacing 35.5 mm Basic Ordering Number: -ISB-WS11-M200-F3

Spacing 30 mm Basic Ordering Number: -ISB-WS11-M201-F3

Unit: mm



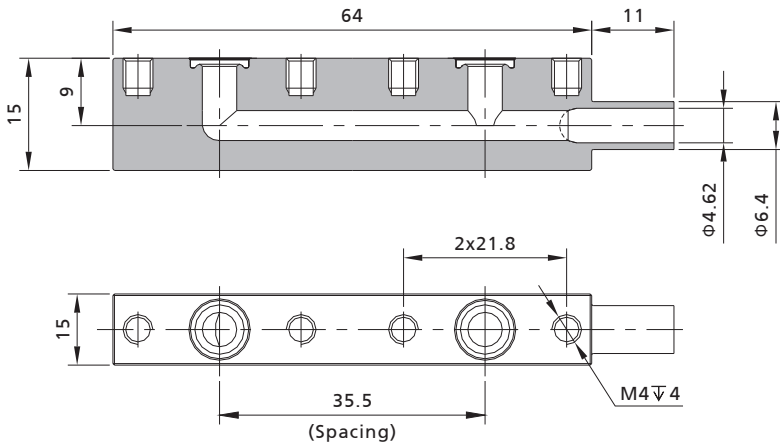
15 Integrated Gas System Substrates

1-Path Bypass Substrates

Spacing 35.5 mm Basic Ordering Number: -ISB-WS11-M210-F3

Spacing 30 mm Basic Ordering Number: -ISB-WS11-M211-F3

Unit: mm

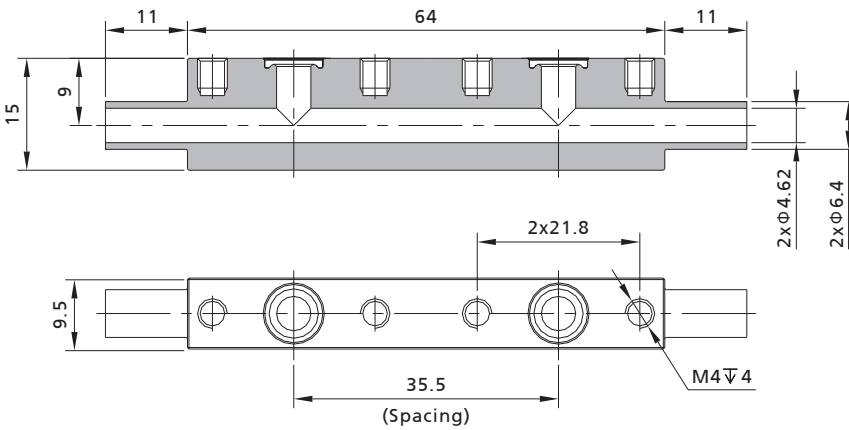


1-Path Bypass Substrates

Spacing 35.5 mm Basic Ordering Number: -ISB-WS11-M220-F3

Spacing 30 mm Basic Ordering Number: -ISB-WS11-M221-F3

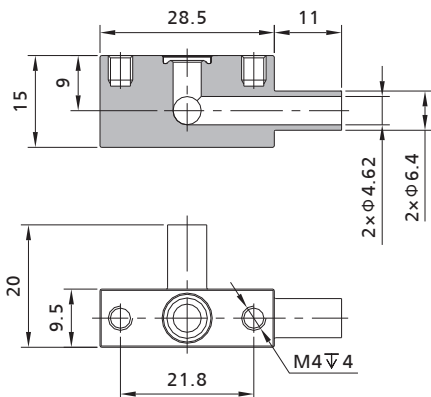
Unit: mm



1-Path Bypass Substrates

Basic Ordering Number: -ISB-WS11-S122-F3

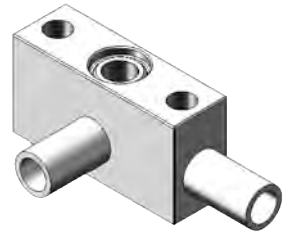
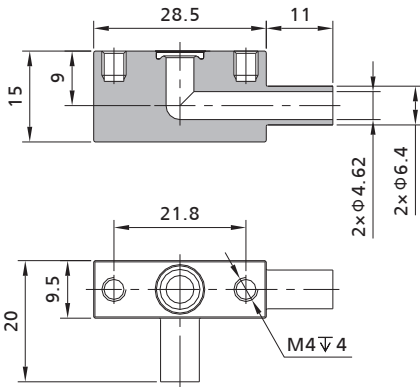
Unit: mm



1-Path Bypass Substrates

Basic Ordering Number: -ISB-WS11-S121-F3

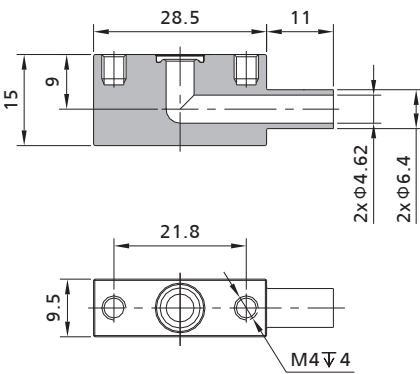
Unit: mm



1-Path Bypass Substrates

Basic Ordering Number: -ISB-WS11-S110-F3

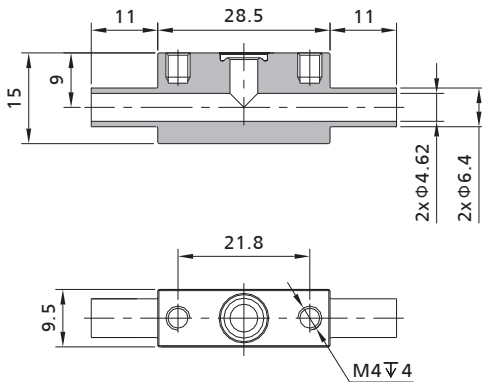
Unit: mm



1-Path Bypass Substrates

Basic Ordering Number: -ISB-WS11-S120-F3

Unit: mm

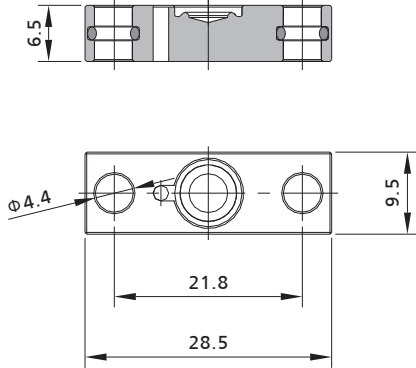


17 Integrated Gas System Substrates

Plugs

Basic Ordering Number: -IEC-WS11-S100-F3

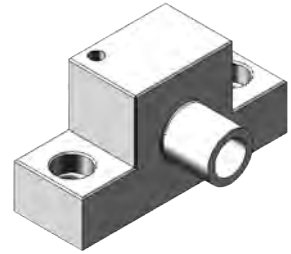
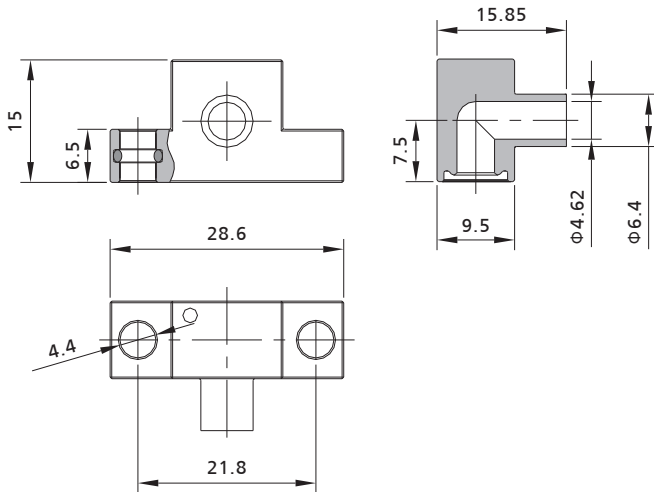
Unit: mm



Plugs

Basic Ordering Number: -IEC-WS11-S120-F3

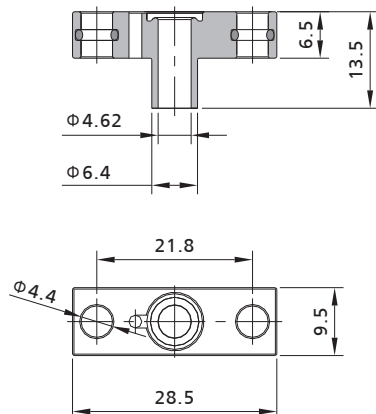
Unit: mm



Plugs

Basic Ordering Number: -IEC-WS11-S110-F3

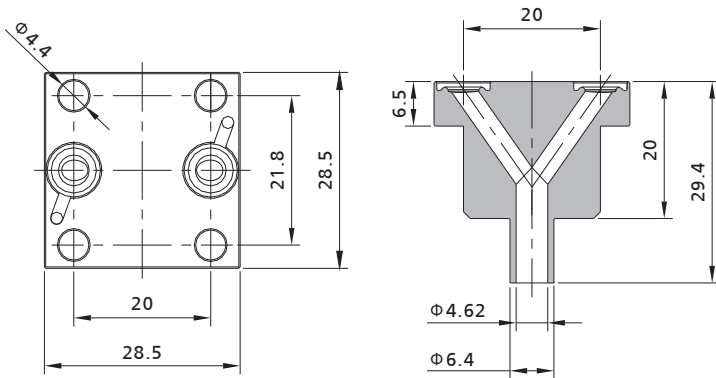
Unit: mm



Transition Substrates

Basic Ordering Number: -ITC-WS11-S201-F3

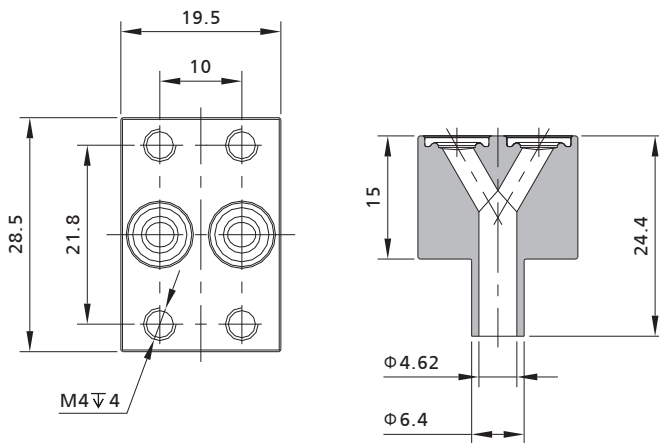
Unit: mm



Transition Substrates

Basic Ordering Number: -ITC-WS11-N201-F3

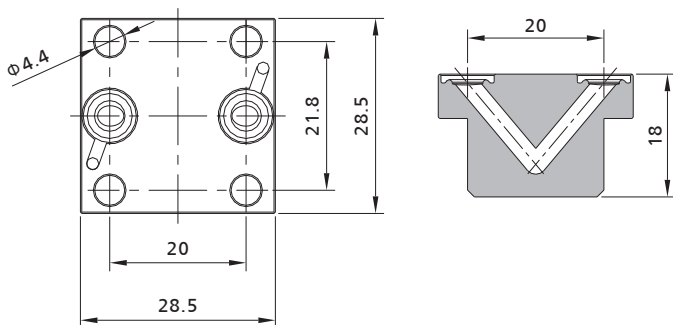
Unit: mm



Transition Substrates

Basic Ordering Number: -ITC-WS11-S200-F3

Unit: mm



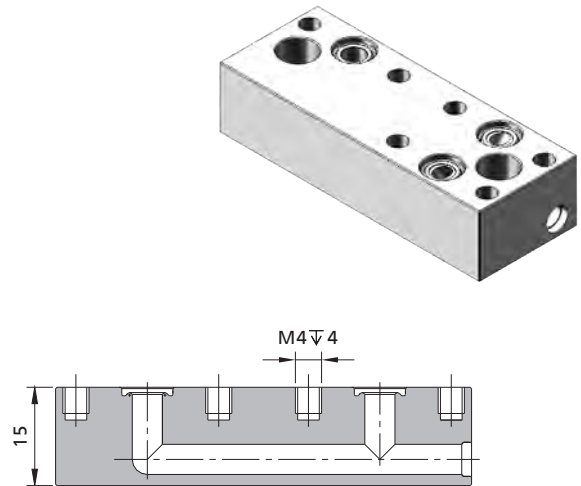
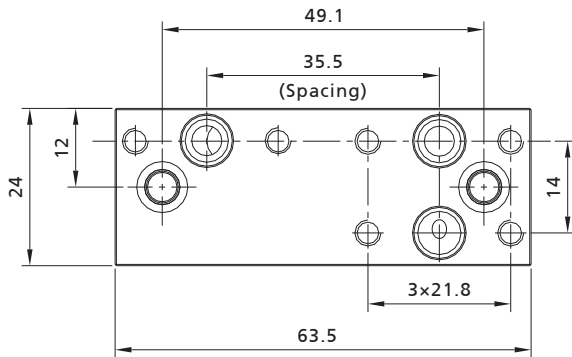
19 Integrated Gas System Substrates

2-Path Bypass Substrates

Spacing 35.5 mm Basic Ordering Number: -IDB-WS11-M210-F3

Spacing 30 mm Basic Ordering Number: -IDB-WS11-M211-F3

Unit: mm

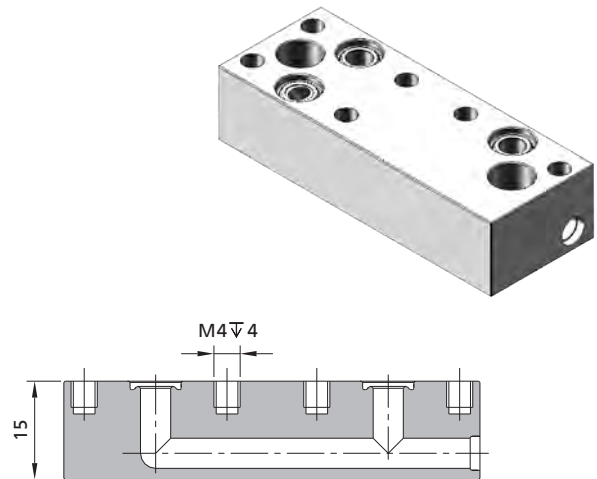
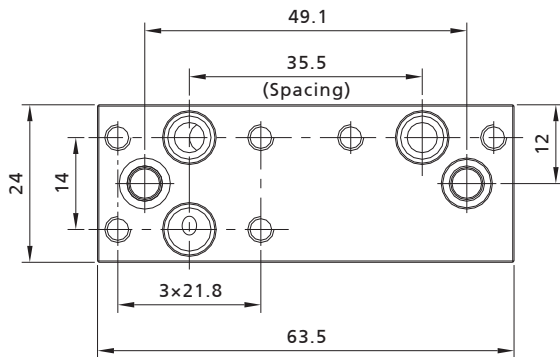


2-Path Bypass Substrates

Spacing 35.5 mm Basic Ordering Number: -IDB-WS11-M220-F3

Spacing 30 mm Basic Ordering Number: -IDB-WS11-M221-F3

Unit: mm

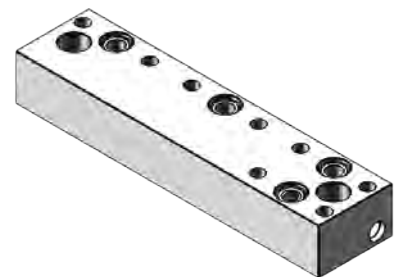
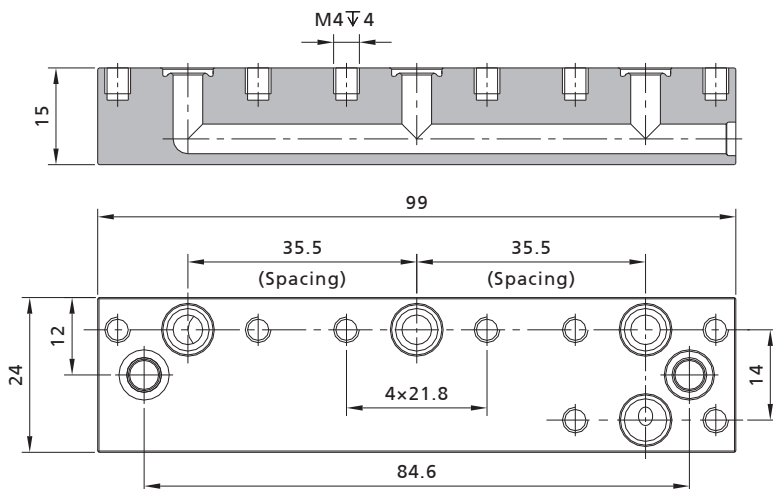


2-Path Bypass Substrates

Spacing 35.5 mm Basic Ordering Number: -IDB-WS11-M310-F3

Spacing 30 mm Basic Ordering Number: -IDB-WS11-M311-F3

Unit: mm

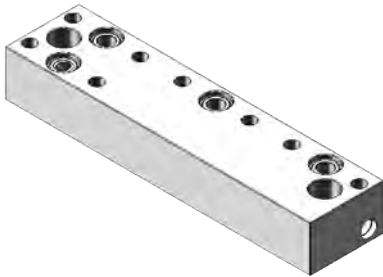
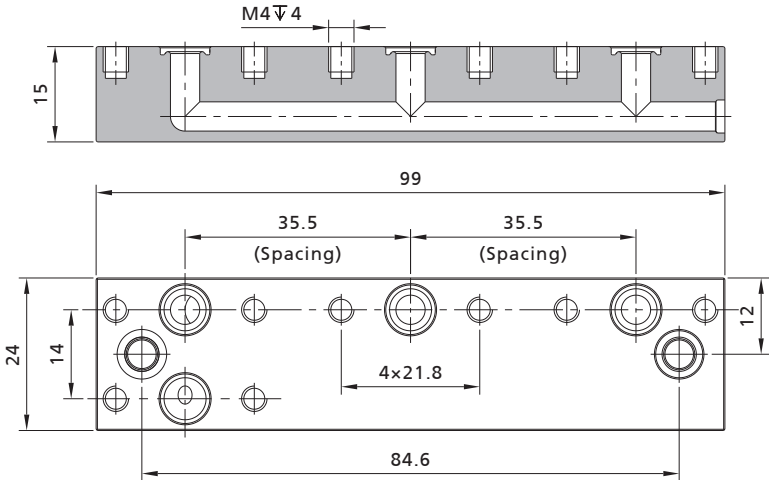


2-Path Bypass Substrates

Spacing 35.5 mm Basic Ordering Number: -IDB-WS11-M320-F3

Spacing 30 mm Basic Ordering Number: -IDB-WS11-M321-F3

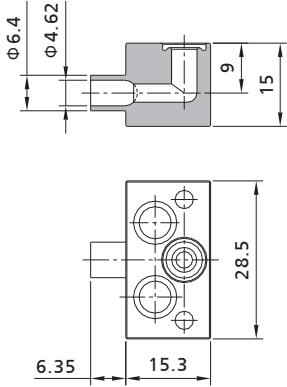
Unit: mm



End Substrates

Basic Ordering Number: -IEB-WS11-E102-F3

Unit: mm



Ordering Number Description

6L - IVB - WS11 - V014 - F3

