

# Pressure Gauges

GA, GB, GC Series



**FITOK**

# Contents

## All Stainless Steel Pressure Gauges

GA Series 01

---

## Stainless Steel Safety Pressure Gauges

GB Series 03

---

## Purity Gas Pressure Gauges

GC Series 05

---

## Dial Range Designators

07

---

# All Stainless Steel Pressure Gauges

## GA Series

GA Series all stainless steel pressure gauges are widely used for petroleum, chemical, metallurgy, mining industries, etc. Liquid-filled gauges of GA Series are suitable for applications with corrosive and non-corrosive gaseous and liquid media where there are fluctuating pressures and mechanical vibrations.

### Features

- ⦿ 2 1/2" (63 mm) and 4" (100 mm) dial sizes available
- ⦿ Pressure measurement up to: 15,000 psi
- ⦿ Bottom mount, lower-back mount and center-back mount configurations available
- ⦿ Liquid-filled configuration available

### Technical Data

- ⦿ Accuracy
  - Dial size: 2 1/2" (63 mm)  $\pm 1.6\%$  of span (EN837-1 Class 1.6)
  - Dial size: 4" (100 mm)  $\pm 1.0\%$  of span (EN837-1 Class 1.0)
- ⦿ Ranges
  - Vacuum gauge: Vacuum to 0 psi — Vacuum to 200 psi
  - Positive-pressure gauge: 0 to 15 psi — 0 to 15,000 psi
- ⦿ Working pressure
  - Dial size: 2 1/2" (63 mm)
    - Static pressure: 75% full scale
    - Dynamic pressure: 67% full scale
    - Instantaneous pressure: 100% full scale
  - Dial size: 4" (100 mm)
    - Static pressure: 100% full scale
    - Dynamic pressure: 90% full scale
    - Instantaneous pressure: 130% full scale
- ⦿ Permissible Temperature
  - Ambient: -4 to 140°F (-20 to 60°C)
  - Media: Unfilled: 392°F (200°C) maximum
  - Liquid-filled: -4 to 176°F (-20 to 80°C)
- ⦿ Ingress protection
  - IP 65

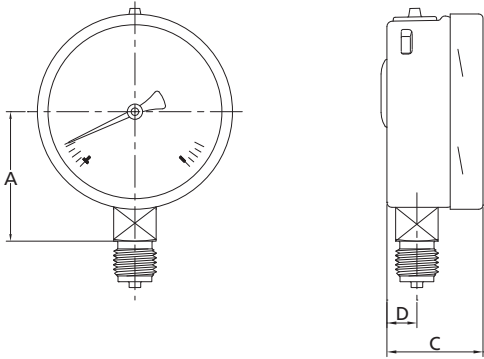
### Materials of Construction

Component	Material
End Connection	316 SS
Case	304 SS
Bourdon Tube	316 SS
Dial	Aluminum
Pointer	Aluminum
Lens	Glass

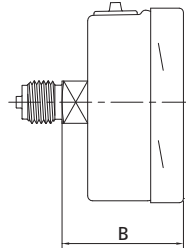
## 2 Pressure Gauges

### Dimensions

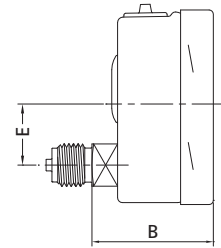
**Bottom Mount**



**Center-back Mount**  
2 1/2" (63 mm) dial



**Lower-back Mount**  
4" (100 mm) dial

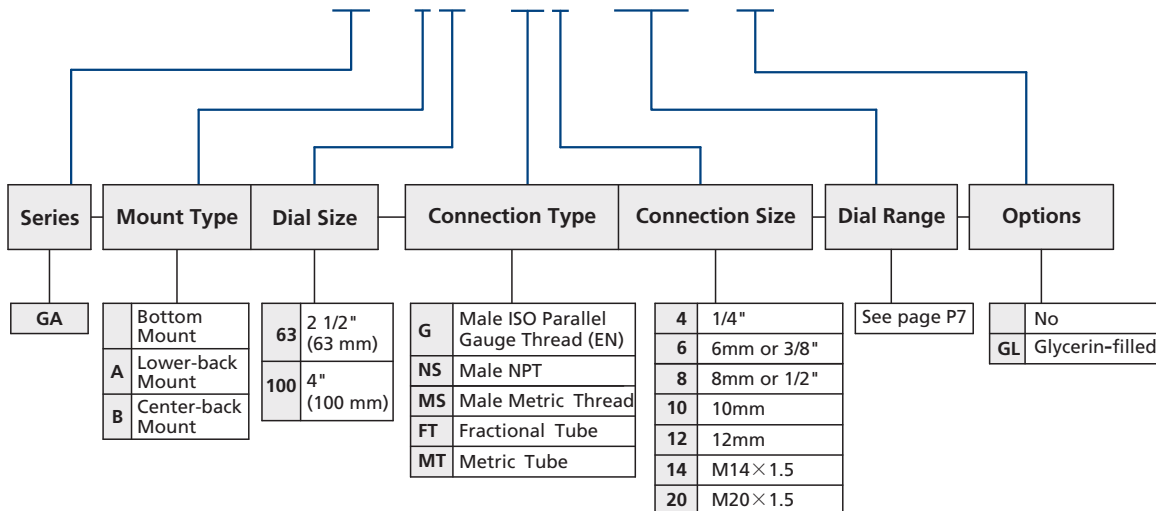


Dial Size in. (mm)	Dimensions, in. (mm)					
	A	B	C	D	E	F
2 1/2 (63)	1.65 (41.7)	1.77 (45.0)	1.34 (34.0)	0.43 (11.0)	—	0.55 (14.0)
4 (100)	2.56 (65.0)	2.56 (65.0)	1.97 (50.0)	0.63 (16.0)	1.14 (29.0)	0.87 (22.0)

Dimensions are for reference only and are subject to change.

### Part Number Description

**GA - B63 - NS4 - 60PM - GL**



Note: Most configurations are available but not everyone. If any questions, please contact FITOK Group or our authorized distributors.

# Stainless Steel Safety Gauges

## GB Series

GB Series pressure gauges with laminated glass are used to measure the pressure of non-viscosity, non-viscous and corrosive gaseous and liquid media. Liquid-filled gauges of GB Series are suitable for applications with fluctuating pressures and mechanical vibrations.

### Features

- ⦿ 2 1/2" (63 mm) and 4" (100) dial sizes available
- ⦿ Pressure measurement up to: 15,000 psi
- ⦿ Bottom mount and Lower-back mount configurations available
- ⦿ Liquid-filled configuration available

### Technical Data

- ⦿ Accuracy
  - Dial size: 2 1/2" (63 mm)  $\pm 1.6\%$  of span (EN837-1 Class 1.6)
  - Dial size: 4" (100)  $\pm 1.0\%$  of span (EN837-1 Class 1.0)
- ⦿ Ranges
  - Vacuum gauge: Vacuum to 0 psi — Vacuum to 200 psi
  - Positive-pressure: 0 to 15 psi — 0 to 15,000 psi
- ⦿ Working pressure
  - Dial size: 2 1/2" (63 mm)
    - Static pressure: 75% full scale
    - Dynamic pressure: 67% full scale
    - Instantaneous pressure: 100% full scale
  - Dial size: 4" (100)
    - Static pressure: 100% full scale
    - Dynamic pressure: 90% full scale
    - Instantaneous pressure: 130% full scale
- ⦿ Permissible temperature
  - Ambient: -40 to 140°F (-40 to 60°C)
  - Media: Unfilled: 392°F (200°C) maximum
  - Liquid-filled: -4 to 140°F (-20 to 60°C)
- ⦿ Ingress protection
  - IP 65

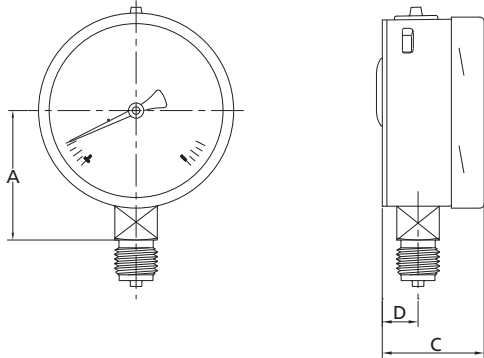
### Materials of Construction

Component	Material
End Connection	316 SS
Case	304 SS
Bourdon Tube	316 SS
Dial	Aluminum
Pointer	Aluminum
Lens	Safety Glass

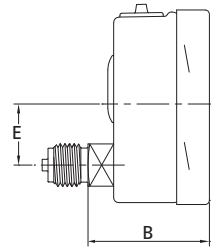
## 4 Pressure Gauges

### Dimensions

**Bottom Mount**



**Lower-back Mount**

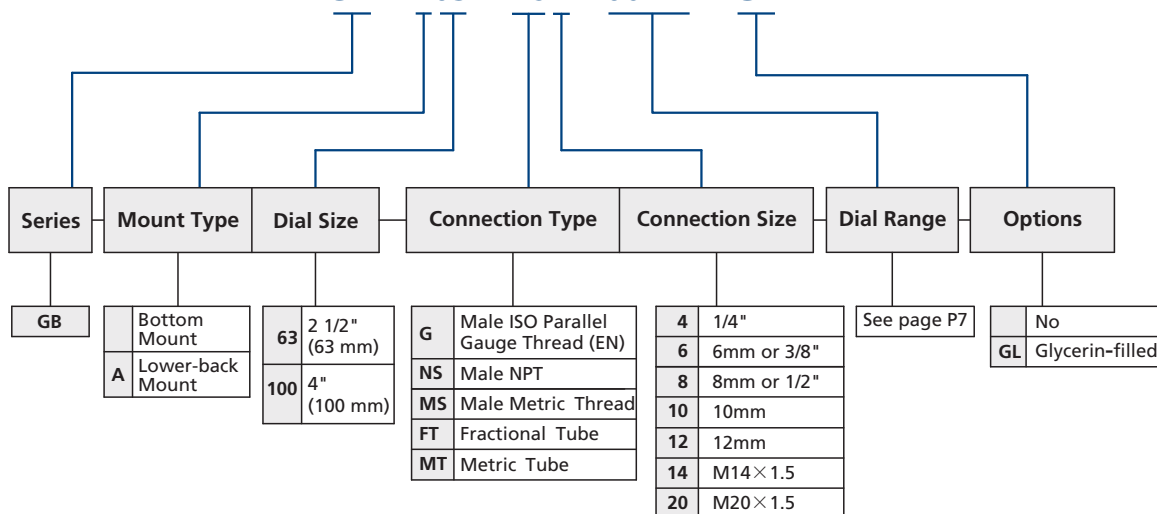


Dial Size in. (mm)	Dimensions, in. (mm)					
	A	B	C	D	E	F
2 1/2 (63)	1.64 (41.8)	2.00 (51.0)	1.67 (42.5)	0.67 (17.2)	0.66 (16.7)	0.55 (14.0)
4 (100)	2.56 (65.0)	2.97 (75.5)	2.32 (59.0)	1.00 (25.5)	1.14 (29.0)	0.87 (22.0)

Dimensions are for reference only and are subject to change.

### Part Number Description

**GB - A63 - NS4 - 60PM - GL**



Note: Most configurations are available but not everyone. If any questions, please contact FITOK Group or our authorized distributors.

# Purity Gas Pressure Gauges

## GC Series

GC Series pressure gauges are clean-type miniature gauges which are suitable for applications with general purity gas, corrosive and non-corrosive gas.

### Features

- ⦿ 2" (50 mm) dial size available
- ⦿ Pressure measurement up to: 6,000 psi
- ⦿ Special cleaning with degreasing and deoiling treatment
- ⦿ Bottom mount and center-back mount available

### Technical Data

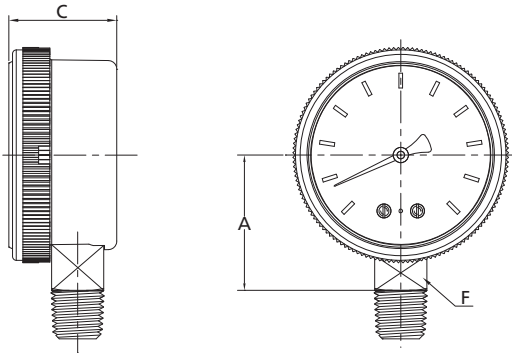
- ⦿ Accuracy
  - ±2.5% of span (EN837-1 Class 2.5, ASME B40.1 Class B)
- ⦿ Ranges
  - Vacuum gauge: Vacuum to 0 psi - Vacuum to 200 psi
  - Positive-pressure gauge: 0 to 15 psi - 0 to 6,000 psi
- ⦿ Working pressure
  - Static pressure: 75% full scale
  - Dynamic pressure: 67% full scale
  - Instantaneous pressure: 100% full scale
- ⦿ Permissible temperature
  - Ambient: -40 to 140°F (-40 to 60°C)
  - Media: 212°F (100°C) maximum
- ⦿ Ingress protection
  - IP 54

### Materials of Construction

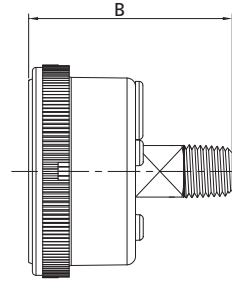
Component	Material
End Connection	316L SS
Case	304 SS
Bourdon Tube	316 SS
Dial	Aluminum
Pointer	Aluminum
Lens	Polycarbonate

## Dimensions

**Bottom Mount**



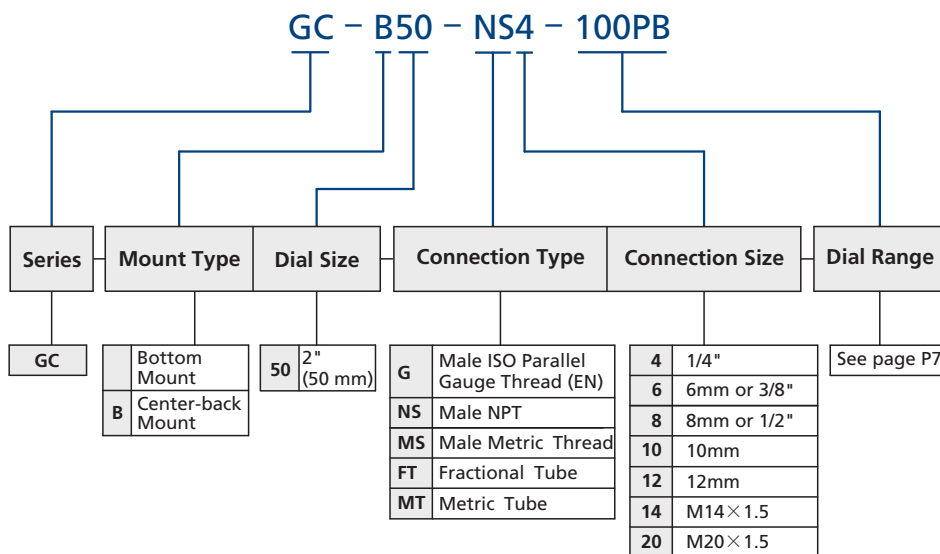
**Center-back Mount**



Dial Size in. (mm)	Dimensions, in. (mm)			
	A	B	C	F
2 (50)	1.95 (49.5)	2.34 (59.5)	1.18 (30.0)	0.55 (14.0)

Dimensions are for reference only and are subject to change.

## Part Number Description



Note: Most configurations are available but not everyone. If any questions, please contact FITOK Group or our authorized distributors.



# Dial Range Designators

Min. Scale	Max. Scale			Designator for Dual Dial		Dial in. (mm)		
	psi (primary scale)	Mpa (secondary scale)	Bar (secondary scale)	psi (primary scale) Mpa (secondary scale)	psi (primary scale) Bar (secondary scale)	2" (50)	2 1/2" (63)	4" (100)
Vacuum -30 in. Hg	0	0	0	V0PM	V0PB	○	○	○
	15	0.1	1	V15PM	V15PB	○	○	○
	30	0.2	2	V30PM	V30PB	○	○	○
	60	0.4	4	V60PM	V60PB	○	○	○
	100	0.7	7	V100PM	V100PB	○	○	○
	160	1.0	10	V160PM	V160PB	○	○	○
	200	1.3	13	V200PM	V200PB	○	○	○
0	15	0.1	1	15PM	15PB	○	○	○
	30	0.2	2	30PM	30PB	○	○	○
	60	0.4	4	60PM	60PB	○	○	○
	100	0.7	7	100PM	100PB	○	○	○
	160	1.0	10	160PM	160PB	○	○	○
	200	1.3	13	200PM	200PB	○	○	○
	300	2	20	300PM	300PB	○	○	○
	400	2.5	25	400PM	400PB	○	○	○
	600	4	40	600PM	600PB	○	○	○
	800	5	50	800PM	800PB	○	○	○
	1000	7	70	1000PM	1000PB	○	○	○
	1500	10	100	1500PM	1500PB	○	○	○
	2000	13	130	2000PM	2000PB	○	○	○
	3000	20	200	3000PM	3000PB	○	○	○
	4000	25	250	4000PM	4000PB	○	○	○
	5000	35	350	5000PM	5000PB	○	○	○
	6000	40	400	6000PM	6000PB	○	○	○
8000	55	550	8000PM	8000PB	X	○	○	
10000	70	700	10000PM	10000PB	X	○	○	
15000	100	1000	15000PM	15000PB	X	○	○	

○ : available    X : unavailable

## Notes:

1. The selected dial range should be approximately two times the system working pressure, and the system working pressure should be 25%~75% of the dial range.
2. Maximum working pressure is restricted by the end connection.
3. Not all the dial ranges and end connections are available for all configurations.
4. Primary scale should be taken as a priority than the secondary scale (reference only). Example: If the scale range can reach up to 200 psi, the maximum value for primary scale (psi) is 200, while the maximum value for secondary scale (MPa) shall be 1.3 or 1.4.

[info@fitokgroup.com](mailto:info@fitokgroup.com)  
[www.fitokgroup.com](http://www.fitokgroup.com)

FK-IC-GO-03-EN-180608